



TOYO®

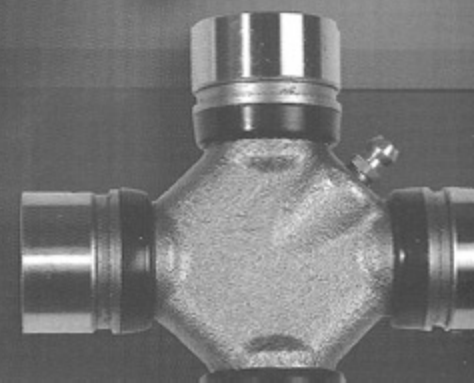
ISO 9001

十字接頭製造買賣

UNIVERSAL JOINT KIT



新暉企業有限公司
CHEA HWAE ENTERPRISE CO., LTD.



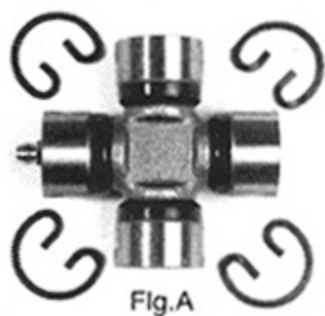


Fig.A

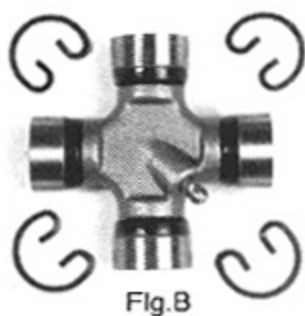


Fig.B

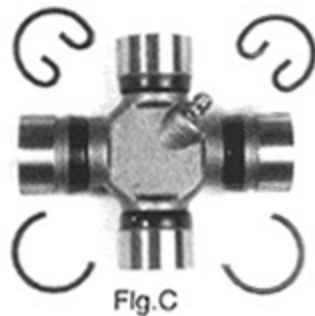


Fig.C

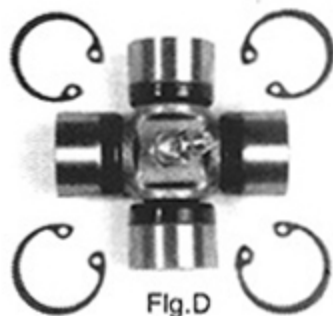


Fig.D



Fig.E



Fig.F

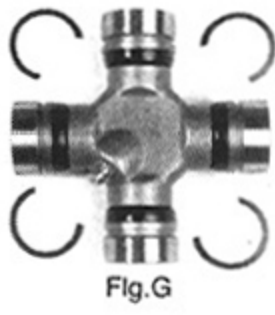


Fig.G



Fig.H

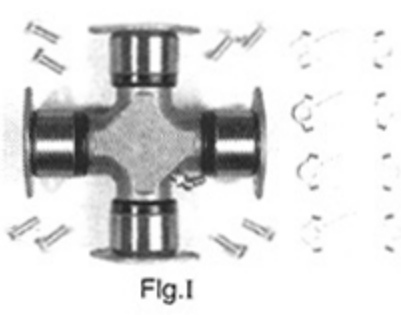


Fig.I



Fig.J

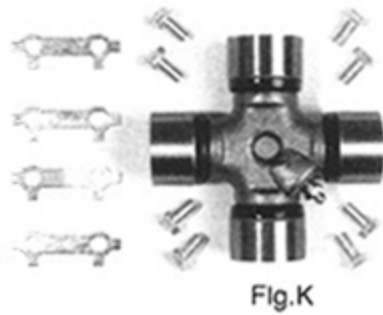


Fig.K

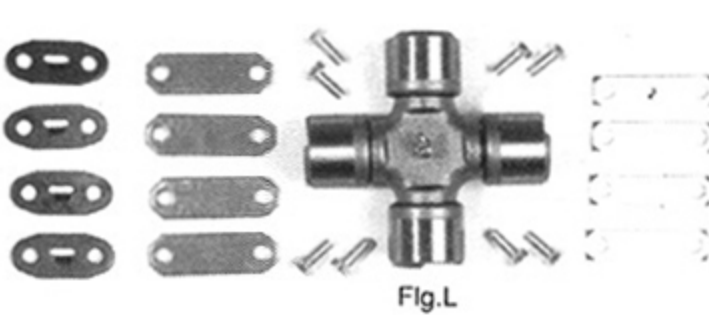


Fig.L



Fig.M

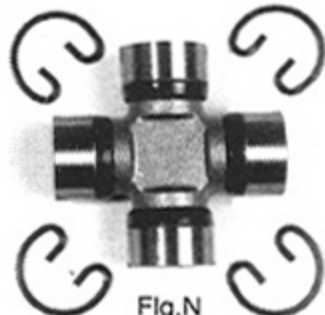


Fig.N



Fig.O

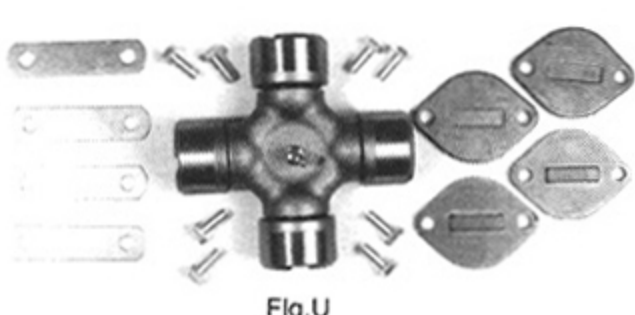
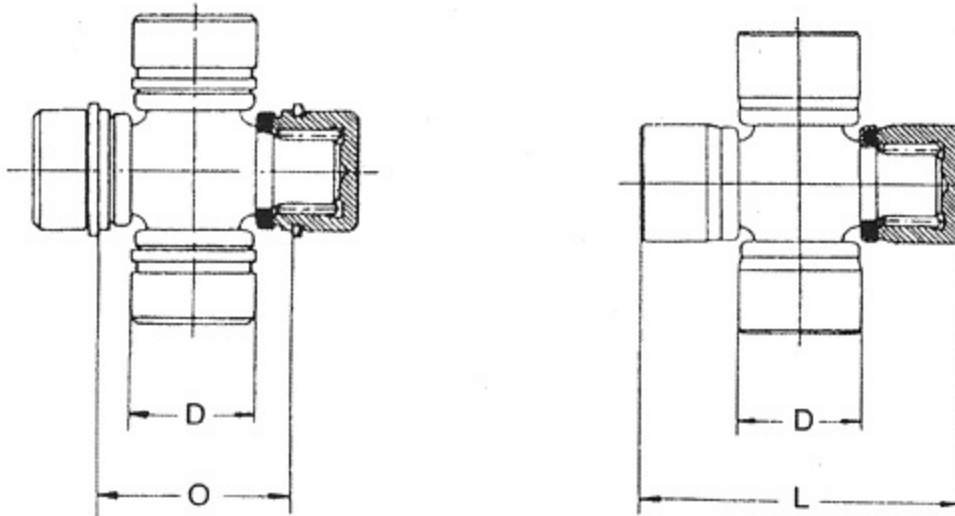


Fig.U

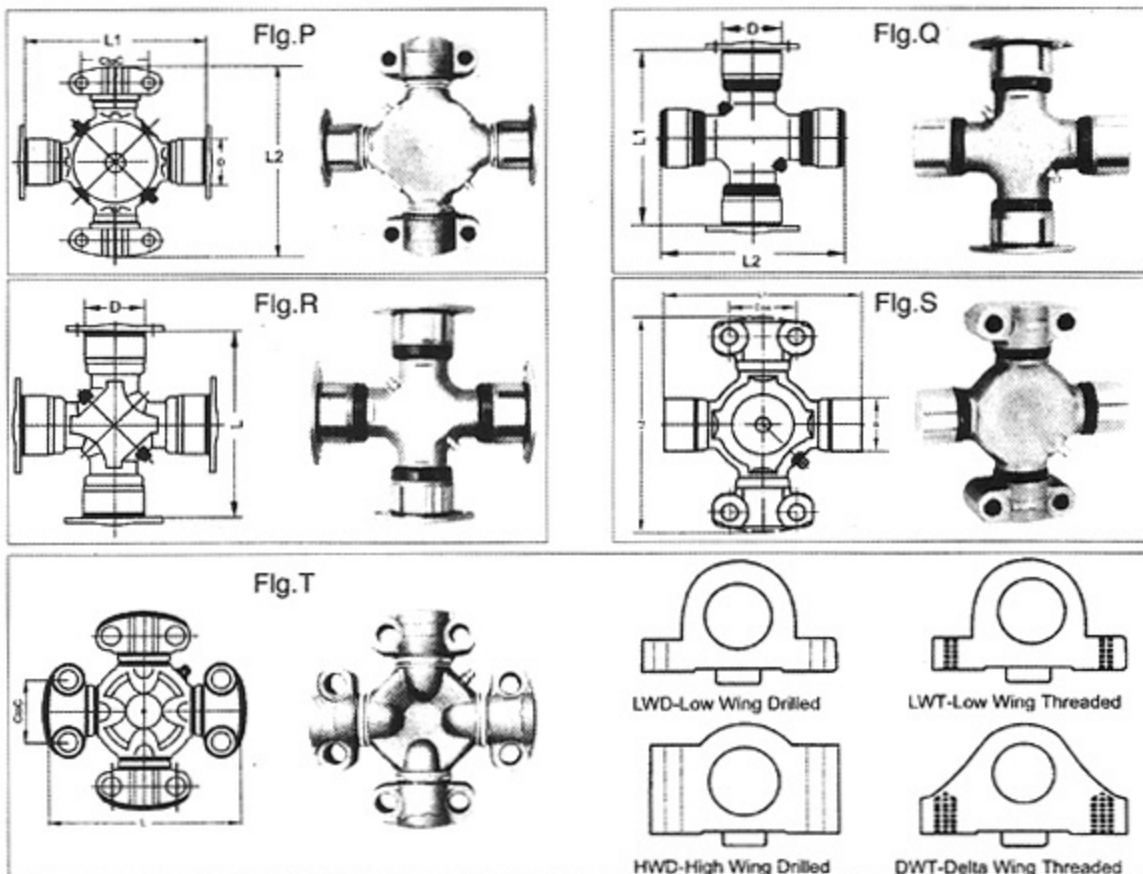
MEASURING SYSTEM FOR UNIVERSAL JOINT REP. KITS



- D=∅ Bearing diameter
- O=Inside snapping
- L=Outside snapping

Identification of universal joints

The No. of a universal joints may be found quickly from the table. Measure the bearing diameter (D) and the length between bearing faces (L) or the length between snapping grooves on bearings (O) of the worn part. The No. can. be traced then by comparing the measured dimensions with those specified in the table.



INDEX

TOYOTA

NLM NO.	FIG.	ORIGINAL NO.	GMB NO.	TOYO NO.	MATSUBA NO.	D m/m	O m/m	L m/m	NET WEIGHT	GROSS WEIGHT
NLT-11	A	04371-10011	GUT11	TT-111	UJ212	20.00	—	57.00	180	250
NLT-12	G	04371-30011	GUT12	TT-112	UJ210	26.00	53.35	—	410	480
NLT-13	E	04371-20010	GUT13	TT-113	UJ211(211)	26.00	42.00	—	380	450
NLT-14	B	04371-60010	GUT14	TT-114	UJ214	28.50	—	77.90	515	590
NLT-15	B	04371-55011	GUT15	TT-115	UJ216	34.00	—	107.00	960	1,120
NLT-16	K	04371-55020	GUT16	TT-116	UJ215	39.98	—	118.00	1,800	2,080
NLT-17	G	04371-30020	GUT17	TT-117	UJ230	29.00	49.00	—	515	590
NLT-19	A	04371-10010	GUT19	TT-119	UJ222	20.00	—	57.00	180	250
NLT-20	G	04371-36021	GUT20	TT-120	UJ234	32.0	61.0	—	670	760
NLT-21	G	04371-35020	GUT21	TT-121		29.00	49.00	—		
NLT-22	K	04371-55021	GUT22	TT-122		40.00	—	118.00	1,850	2100
NLT-23	G	04371-35030	GUT23	TT-123		29.00	49.00	—	515	590
NLT-24	M		GUT24	TT-124		22.06	—	57.50	230	280
NLT-25	B	04371-04010	GUT25	TT-125		27.00	—	81.75		

NISSAN

NLN26	B	37125-11975	GUN26	TN-126	UJ110	23.82	—	61.30	275	340
NLN27	E	37125-14627	GUN27	TN-127	UJ111	25.00	40.00	—	275	340
NLN28	E	37125-18025	GUN28	TN-128	UJ112	20.01	35.00	—	180	250
NLN29	G	37125-21025	GUN29	TN-129	UJ114	28.00	53.00	—	490	560
NLN30	B	37125-85461	GUN30	TN-130	UJ115	30.17	—	90.10	670	770
NLN31	B	37125-50001	GUN31	TN-131	UJ116	32.00	—	107.00	1,010	1,130
NLN32	O	37125-58026	GUN32	TN-132	UJ117	35.50	—	119.20	1,320	1,450
NLN33	L	37125-99901	GUN33	TN-133	UJ119	43.00	—	128.00	1,400	1,570
NLN34	G	37125-76025	GUN34	TN-134	UJ113	25.01	52.00	—	350	420
NLN36	O	37125-4101(65109)	GUN36	TN-136	UJ120	25.00	—	77.60	500	570
NLN38	E	37125-68200	GUN38	TN-138	UJ121	26.00	45.60	—	410	480
NLN41	L	37125-90128	GUN41	TN-141	UJ125	43.00	—	135.50	2,350	2,600
NLN42	B	37125-99900	GUN42	TN-142	UJ118	40.01	—	123.80	1,555	1,750
NLN43	L	37125-90027	GUN43	TN-143	UJ126	55.01	—	163.80	3,950	4,150
NLN44	A	37125-99000	GUN44	TN-144	UJ124	20.50	—	56.60	195	290
NLN45	M	37125-H8500	GUN45	TN-145		20.07	—	52.40	200	240
NLN46	F	37126-01G05	GUN46	TN-146		27.00	45.90	—	430	500
NLN47	B	37125-25025	GUN47	TN-147		27.00	—	81.75		
NLN48	B	37125-7F025	GUN48	TN-148		27.00	—	81.75		

MAZDA

NLM NO.	FIG.	ORIGINAL NO.	GMB NO.	TOYO NO.	MATSUBA NO.	D m/m	O m/m	L m/m	NET WEIGHT	GROSS WEIGHT
NLMZ1(5)	A	0136-25-060	GUMZ1(5)	TMZ-101(5)	UJ410	25.00	—	63.80	275	340
NLMZ2	A	0180-25-060	GUMZ2	TMZ-102	UJ412	20.02	—	55.00	180	250
NLMZ3(4)	G	0164-25-060	GUMZ3(4)	TMZ-103(4)	UJ414	32.00	57.00	—	500	570
NLMZ6	G	0706-89-251	GUMZ6	TMZ-106	UJ415	28.00	56.00	—	800	910
NLMZ7	E	0259-25-060	GUMZ7	TMZ-107	UJ413	25.00	40.00	—	280	350
NLMZ8	B	0727-25-060	GUMZ8	TMZ-108	UJ416	37.00	—	104.00	1,230	1,410
NLMZ9	N.F	1757-89-251	GUMZ9	TMZ-109	UJ417	26.50	48.00	—	420	500
NLMZ10	E	3919-39-251	GUMZ10	TMZ-110	UJ418	22.50	35.00	—	240	310
NLMZ11	M	M026-25-100	GUMZ11	TMZ-111		22.06		59		
NLMZ12	H	P001-25-060	GUMZ12	TMZ-112		24.06		71.4		

MITSUBISHI

NLM71	L	14501-27000	GUM71	TN171	UJ610	44.00	—	129.00	2,500	2,900
NLM72	B	13518-22000	GUM72	TN172	UJ613	36.00	—	104.00	1,000	1,100
NLM73	C	GPW18397	GUM73	TN173	UJ620	27.00	—	81.75	480	540
NLM76	O	13018-21200	GUM76	TN176	UJ614	25.01	—	77.80	500	570
NLM77	A	ST-0008	GUM77	TN177	UJ617	27.00	—	65.30	470	540
NLM78	A	ST-0003	GUM78	TN178	UJ619	25.00	—	63.80	275	340
NLM79	A	ST-0024	GUM79	TN179	UJ616	25.00	—	63.80	275	340
NLM80	L	12018-01110	GUM80	TN180	UJ612	46.00	—	142.00	2,300	2,650
NLM81	A	MB-000345	GUM81	TN181	UJ625	25.00	—	63.80	275	340
NLM82	B	13501-11010	GUM82	TN182	UJ624	38.00	—	104.00	1,320	1,500
NLM83	L	12019-10000	GUM83	TN183	UJ626	52.00	—	153.80	3,950	4,300
NLM84	A	18433-51700	GUM84	TN184	UJ623	26.00	—	68.00	310	380
NLM85	M	MB000300	GUM85	TN185		22.06	—	62.50	250	320
NLM86	B	MT047756	GUM86	TN186	UJ615	28.50	—	77.90	500	570
NLM87	B	MB000119	GUM87	TN187		30.00	—	78.20	560	620
NLM88	O	MB000776(000823)	GUM88	TN188		25.00	—	76.50	405	450
NLM90	L	14801-06001	GUM90	TN190		46.00	—	148.00		
NLM91	O	MB000948	GUM91	TN191		25.00	—	76.50		
NLM92	A	MB000697	GUM92	TN192		20.02	—	55.00		
NLM93	F	MB000267	GUM93	TN193		30.00	55.10			

ISUZU

NLIS51	B	9-37300-017	GUIS51	TIS151	UJ313	23.82	—	61.30	285	350
NLIS52	G	9-37300-065	GUIS52	TIS152	UJ314(324)	29.00	50.00	—	500	570
NLIS54	L	9-37300-055	GUIS54	TIS153	UJ311	36.00	—	97.00	1,260	1,360
NLIS55	L	9-37300-150	GUIS55	TIS154	UJ320	42.00	—	125.00	1,520	1,810
NLIS56	B	9-37300-609	GUIS56	TIS156		23.82	—	61.20	285	350
NLIS57	L	9-37300-163	GUIS57	TIS157	UJ321	48.00	—	145.00	2,500	2,700
NLIS58	L	9-37300-112	GUIS58	TIS158	UJ312	36.00	—	97.00	1,290	1,390
NLIS59	A	44135-060	GUIS59	TIS159	UJ315	20.50	—	56.60	195	290
NLIS60	T	9-37300-139	GUIS60	TIS160		49.20	—	148.38	3,100	3,400
NLIS61	A	9-37300-031	GUIS61	TIS161		23.82	—	61.20	285	350
NLIS62	B	1-37300-0130	GUIS62	TIS162		35.00	—	103.92	1,100	1,320
NLIS63	M	94207232-1	GUIS63	TIS163		22.06	—	62.50	230	280
NLIS64	B	1-37300-047-0	GUIS64	TIS164		40.00	—	115.00		
NLIS65	L	1-37300-004--0	GUIS65	TIS165		45.98	—	136.00		
NLIS66	B	5-37300-032-0	GUIS66	TIS166		33.00	—	93.00		
NLIS67	T	1-37300-049-0	GUIS67	TIS167		(R)56.00	—	(P)173.90	3,850	3,960
NLIS68	L									

HINO

NLM NO.	FIG.	ORIGINAL NO.	GMB NO.	TOYO NO.	MATSUBA NO.	D m/m	O m/m	L m/m	NET WEIGHT	GROSS WEIGHT
NL-H61	U	9-953-3401-01	GUH61	TH-161	ZUJ511	47.00	—	124.00	2,100	2,350
NL-H62	U	3-302-3403-01	GUH62	TH-162	UJ512	47.00	—	138.00	2,600	2,900
NL-H63	B	3-331-3403-01	GUH63	TH-163	UJ514	35.01	—	99.00	1,260	1,360
NL-H64	U	3-302-3403-06	GUH64	TH-164	UJ513	50.00	—	159.00	3,150	3,500
NL-H65	B	3-445-3403-04	GUH65	TH-165	UJ515	36.0	—	110.30	1,250	1,450
NL-H66	O	6042-8409-00	GUH66	TH-166	UJ516	23.82	—	65.95	295	380
NL-H67	T	3301-3403-01	GUH67	TH-167		R49.2	—	P148.38	3,100	3,400
NL-H68	L	04037-4008	GUH68	TH-168		47		144		
NL-H69	A	45220-1060	GUH69	TH-169		20		58		
NL-H70	L	37401-1061	GUH70	TH-170		47		130.00		
NL-H71	L	37401-1010	GUH71	TH-171		47		144		
NL-H72	L	37401-1080	GUH72	TH-172		47		144		
NL-H73	L	37401-1021	GUH73	TH-173		50		165		
NL-H74	B	37401-1100	GUH74	TH-174		36		115.6	1,300	1,500
NH-1172	O	37401-1172		NH-1172		40.00	—	115.80		

HONDA

NLH02	A	40150-567-003	GUH02	TH-102	UJ811	25.00	—	64.00	280	345
NLH03	A	44330-538-004	GUH03	TH-103	UJ810	22.00	—	65.00	240	305

DAIHATSU

NLD81	A	4141-4120	GUD81	TD-181	UJ218	20.00	—	55.00	180	250
NLD82	B	4610-4120	GUD82	TD-182	UJ220	28.00	—	80.00	510	580
NLD83	A	4123-4120	GUD83	TD-183	UJ219	25.00	—	63.80	275	340
NLD84	B	04371-87301	GUD84	TD-184	—	28.01	—	80	500	590
NLD85	G	04371-87302	GUD85	TD-185	—	28.57	60.10	—	610	720
NLD86	A	04371-87501	GUD86	TD-186	—	20.00	—	55.10	180	250
NLD87	B	04371-57303	GUD87	TD-187	—	28.00	—	80.00	510	580
NLD88	E	04371-87503	GUD88	TD-188	—	22.50	34.90	—	240	310
NLD89	F	04371-87304	GUD89	TD-189	—	30.00	55.10	—	600	650

SUZUKI

NLS1	E	27200-58833	GUS1	TS-101	UJ700	25.00	40.20	—	275	340
NLS2	E	27100-67000	GUS2	TS-102	—	20.01	35.00	—	180	250
NLS3		27100-63850(F)	GUS3	TS-103	—	—	—	—	—	—
NLS4		27100-302(C)	GUS4	TS-104	—	—	—	—	—	—
NLS5		27100-63860(R)	GUS5	TS-105	—	—	—	—	—	—
NLS6	M	37200-60511	GUS6	TS-106	—	20.07	—	59.8	200	240
NLS7	A	27200-83010	GUS7	TS-107	—	25.00	—	63.80	270	340

SUBARU

NLSR-2	E	6234-00020	GUSR-2	TSR-102	UJ150	23.00	44.60	—	280	350
NLSR-3	G	6232-4300	GUSR-3	TSR-103	—	28.00	52.60	—	470	570
NLSR-4	E	6220-32000	GUSR-4	TSR-104	—	25.10	40.00	—	300	360

OTHERS

NLDUMP1	A	KAWANISHI(S)	GUDUMP1	TUDUMP-1	UJ912	20.00	—	57.50	180	250
NLDUMP2	O	KAWANISHI(L)	GUDUMP2	TUDUMP-2	UJ911	25.00	—	77.00	300	370
NLDUMP3	A	KONGO	GUDUMP3	TUDUMP-3	UJ910	22.00	—	62.00	270	340

KOMATSU

NLM NO.	FIG.	ORIGINAL NO.	TOYO NO.	GMB NO.	D m/m	O m/m	L m/m	BEARING QUANTITY AND TYPE
NLKO-1	T	101-10-17100	TKO-11	GUKO-1	(R)33.32		(P)79.22	LWT
NLKO-2	T	101-10-17200	TKO-12	GUKO-2	(R)33.32		(P)79.22	LWT
NLKO-3		101-10-00042	TKO-13	GUKO-3				
NLKO-4	T	111-10-16110	TKO-14	GUKO-4	(R)36.40		(P)107.98	HWD
NLKO-5	T	131-10-46110	TKO-15	GUKO-5	(R)42.88		(P)115.05	HWD
NLKO-6	T	135-14-00030	TKO-16	GUKO-6	(R)42.88		(P)140.45	HWD
NLKO-7		150-11-12360	TKO-17	GUKO-7				
NLKO-8	T	175-20-00060	TKO-18	GUKO-8	(R)71.44		(P)165.01	HWD
NLKO-9			TKO-19	GUKO-9				
NLKO-10		141-10-00012	TKO-110	GUKO-10				
NLKO-11		150-11-00097	TKO-111	GUKO-11				
NLKO-12	T	111-60-11110	TKO-112	GUKO-12	(R)33.32		(P)79.22	LWT
NLKO-13	B	154-66-12100	TKO-113	GUKO-13	23.82		61.30	
NLKO-14		380-135764-1	TKO-114	GUKO-14				
NLKO-15	T	380-136142-1	TKO-115	GUKO-15	(R)49.20		(P)148.38	HWD
NLKO-16	O	380-154073-1	TKO-116	GUKO-16	38.91		109.4	
NLKO-17	B	380-154081-1	TKO-117	GUKO-17	30.18		92.05	
NLKO-18	T	380-890373-1	TKO-118	GUKO-18	(R)42.88		(P)115.05	HWD
NLKO-19	T	381-881908-1	TKO-119	GUKO-19	(R)42.88		(P)115.05	HWD
NLKO-20	T	381-972625-1	TKO-120	GUKO-20	(R)36.40		(P)107.98	HWD
NLKO-21		381-976907-1	TKO-121	GUKO-21				
NLKO-22	T	381-976908-1	TKO-122	GUKO-22	(R)42.88		(P)140.45	HWD
NLKO-23	T	381-985204-1	TKO-123	GUKO-23	(R)36.40		(P)107.98	HWD
NLKO-24		385-10155511	TKO-124	GUKO-24				
NLKO-25	T	385-10178551	TKO-125	GUKO-25	(R)36.40		(P)107.98	HWD
NLKO-26	T	385-10178571	TKO-126	GUKO-26	(R)42.88		(P)140.45	HWD
NLKO-27	T	385-10193741	TKO-127	GUKO-27	(R)49.20		(P)148.38	HWD
NLKO-28	T	385-10238601	TKO-128	GUKO-28	(R)42.88		(P)140.45	HWD

TCM

NLTC-1	T	25073-30299	TTC-11	GUTC-1	(R)45.00		(P)129.00	HWD
NLTC-2	T	24023-30301	TTC-12	GUTC-2	(R)46.00		(P)134.00	HWD
NLTC-3	T	25073-30222	TTC-13	GUTC-3	(R)45.00		(P)129.00	HWD
NLTC-4	T	26113-38001	TTC-14	GUTC-4	(R)36.40		(P)107.98	HWD
NLTC-5	T	93984-41300	TTC-15	GUTC-5	(R)42.88		(P)115.05	HWD
NLTC-6	T	29003-37221	TTC-16	GUTC-6	(R)42.88		(P)140.45	HWD
NLTC-7	T	93984-03600	TTC-17	GUTC-7	(R)49.20		(P)148.38	HWD
NLTC-8	T	93950-14000	TTC-18	GUTC-7	(R)36.40		(P)107.98	HWD

STEERING JOINT

ST-1538	M				15.0		38.0	
ST-1540	M				15.0		40.0	
ST-1638	M				16.0		38.0	
ST-1640	M				16.0		40.0	
ST-1948	M				19.0		48.0	

JAPANESE VEHICLES

CAR MAKE	TOYO NO.	MFG. NO.	CAR NAME	MODEL	YEAR
TOYOTA	TT-111	04371-10010/1 37431-10010 UP10-37412 37411-10010/1	PUBLICA 700	UP10, UP10D, UP16V	61-66
			PUBLICA 800	UP15, UP20, UP26V	63-ON
			PUBLICA 1000	UP30, UP36V	69-ON
			PUBLICA 1100	KP30, KP36V	69-ON
			PUBLICA 1200	KP30S	69-ON
			STARLET 1000	KP31S	69-ON
			STARLET 1200	KP40, KP45	73-
			COROLLA 1100	KP42, KP47	73-
			COROLLA 1200	KE10, KE15, KE16V	66-69
				KE11, KE17, KE18V	69-ON
				KE20, KE25, KE26V	
				KE30, KE35, KE36	
				KE40	
			MINIACE	UP100, UP100G, UP100V	67-ON
			DYNA	RU10DH, RU12D(DUMP)	69-ON
				JU10DH, JU12D(DUMP)	69-ON
	TT-112	04371-30011 04371-30010 04371-25010 37411-30020	CORONA 1500	RT20, RT30	61-64
CORONA LINE			RT36, PT36V, PT36P	60-64	
CROWN			RR, RS, RS20, RS21		
			RS30, RS31	58-67	
CROWN MASTER LINE			RS26, RS36, RS46	59-67	
HILUX			RN10, RN15, RN13, RN16, RN11	68-72	
HIACE			RN20, RN22, RN25 LN30, RN30	72-ON	
BUS			RH10B, RH15B, RV18, JV18, RN40	67-ON	
TOYOACE			PK20, PK30, PK31, PK32, PK41	58-65	
LIGHT STOUT			PK30, RK31, RK40, RN31, RN41	59-65	
			RK43, RK45 KN40		
DYNA			RK70, RK85, RK95, RK150	58-62	
			TT-113	04371-20010 04371-22010 37411-20010	COROLLA 1400
COROLLA 1600	TE30, TE35, TE36, TE40, TE45	74-			
	TE21, TE27	73-74			
CARINA 1400	TE31, TE37, TE41, TE47	74-			
CARINA 1600	TA10, TA15	71-ON			
	TA12	70-ON			
	TA17	72-ON			
CARINA 2000	RA11, RA15, RA16, RA17	74-ON			
CELICA 1400	TA20	70-ON			
CELICA 1600	TA22	70-ON			
	TA27	73-ON			
CELICA 2000	RA21, RA25, RA28, RA35	73-ON			
CORONA 1200	PT40, PT41	65-ON			
CORONA 1300	PT47V, RT46V	67-ON			
CORONA 1500	RT40, RT80	64-ON			
CORONA 1600	RT55	68-ON			
	RT81, RT82, RT91, RT87V	71-ON			
CORONA MARK2 1700	RT61, RT100, RT102, TR122	69-72			
	RX10, RX20, RX16, RX26	72-ON			
CORONA MARK2 1900	RT62, RT72, RT78	69-72			
CORONA MARK2 2000	RX12, RX22, RX28	72-ON			
CORONA MARK2 2000	MX12, MX22, MX28				
CORONA MARK2L 2000	MX10, MX20	72-ON			
CROWN 1900	RS40, RS41	63-67			
CROWN 2000	MS40, MS41				
	RS50, RS56	67-70			
	MS50, MS51, MS52, MS56	67-70			
	MS53, MS55	66-71			
CROWN 2300	VG10				
CROWN 2600					
CRESSIDA	RX30, MX32, RX35, MX36				

JAPANESE VEHICLES

CAR MAKE	TOYO NO.	MFG. NO.	CAR NAME	MODEL	YEAR			
TOYOTA	TT-114	04371-60010 04371-60020 04371-36010 0437140010 04371-36011 37411-60010/20	DYNA STOUT 2TON CAB 4TON DYNA BUS LAND CRUISER	RK170, RK171, RK175 JK170, JK171 RU10, RU12, RU15 JU10, JU12, JU15 BU10, BU12, BU15 RK45, RK47 RK100, RK101 RK175, RK176, JK175, JK176 QC10, QC15 RK170B, RK171B JK170B, JK171B FJ40, FJ42 FJ55V, FJ55VB	62-ON 69-ON 69-ON 72- 61-74 67-ON 64-ON			
		TT-115	04371-55011 FA60-37412A 04371-55010 37411-55010 37411-59020	MASSY DYNA 3.5TON TRUCK 4TON TRUCK 5TON TRUCK 6TON TRUCK 5TON TRUCK 5TON DUMP 6TON TRUCK 6TON DUMP 6TON TRUCK 6TON CAB TRUCK 6TON TRUCK BUS	QC10, QC10H, QC15 FC100 DC80C FA60 FA80, FA90, FA95, FC80 FA100, FA110, FA115 DA100R(4F MISSION) DA100DR(4F MISSION) D110R(4F MISSION) DA110DR(4F MISSION) DA115R(4F MISSION)DA115CR(4F MISSION) DA116R(4F MISSION) FB80, FB100	69-ON 69-ON 69-ON 69-ON 69-ON 69-ON 69-ON 69-ON 69-ON 69-ON 69-ON 69-ON		
			TT-116	04371-55020 04371-55021 37411-55020 04371-55030	5TON TRUCK 5TON DUMP 6TON TRUCK 6TON DUMP 6TON TRUCK 6TON CAB TRUCK 6TON TRUCK 5TON TRUCK 5TON DUMP 6TON TRUCK 6TON TRUCK BUS	DA100, DA100Q, (5F MISSION) DA100D, DA100QC, (5F MISSION) DA110, DA110Q, (5F MISSION) DA110D, DA110DQ, (5F MISSION) DA115, DA115Q(5F MISSION) DA115C, DA115CA(5F MISSION) DA116, DA116Q (5F MISSION) FA110P, FA110H (5F MISSION) FA100DP (5F MISSION) FA110P, FA110H FA100PH (5F MISSION) FA115P, FA115H (5F MISSION) DB90, DB92, DB95 DB100, DB102, DB105 DR10, DR11, DR15	69-ON 69-ON 69-ON 69-ON 69-ON 69-ON 69-ON 69-ON 69-ON 69-ON 69-ON 69-ON 69-ON 69-ON 69-ON 69-ON 69-ON 69-ON	
				TT-117	04371-30020	CROWN 2000	NS60, MS66V, MS62, MS70	70-ON
						CROWN 2600	RS60, RS66V MS63, MS65, MS75	
				TT-119	04371-10010	U.J.KIT FOR STEERING	FA100, FA110, FA115	
						6TON TRUCK 5TON (TRUCK, DUMP) 6TON (TRUCK, CAB TRUCK, DUMP)	DA100 DA110, DA115	
				TT-120	04371-36020/30 04371-36021 04371-36034	LAND CRUISER	2F (FJ43-45)	74-ON
						DYNA	RU, BU, HU	75-ON
						COASTER STOUT2000	MD, RB11	77-748
TT-121	04371-35020			HILUX 4WD	RN36, 46	79-ON		
TT-122	04371-55021/31							
TT-123	04371-35030	HILUX 4WD	YN6#, LN6#	83-				
TT-124		STEERING JOINT						

JAPANESE VEHICLES

CAR MAKE	TOYO NO.	MFG. NO.	CAR NAME	MODEL	YEAR
NISSAN	TN-126	37125-11975 37126-11975	DATSUN	310, WP311, 312	59-61
			DATSUN PICK-UP 1200	320, U320	63-64
			DATSUN 1000	410	64-65
			DATSUN 1200	PL410	64-65
			DATSUN 1300	VO411, RL411	66-67
			DATSUN PICK-UP 1300	520	65-68
			FAIRLADY	SP310	65-ON
			CEDRIC	30, 31	63-64
			CABLITE	VA220	65-66
	TN-127	37125-14600 37125-14625 37125-14626 37125-14627 37125-P3000 37124-P3000 37125-49W26 37130-14600	DATSUN 1300 DATSUN 1400 (SUNNY) DATSUN 1400 DATSUN 1600 DATSUN 1800 DATSUN PICK-UP 1300 DATSUN PICK-UP 1300 DATSUN PICK-UP 1500 DATSUN PICK-UP DATSUN 710 (VIOLET) CEDRIC DATSUN 200C (CEDRIC) DATSUN 2000GT (BLUEBIRD-U) LAUREL 200L FAIRLADY 1600 FAIRLADY 2000 FAIRLADY Z 240 260 FAIRLADY Z 280 SKYLINE PRISIDENT CABLITE CABSTER	P411, WP411, 510 PB110, KPB110 N510 R411, P510, KP510, WP510 H510, KH510 521, G521, V521, 620, G620 520, G520, U520, V520 N521, UN521, VN521 PL521 710, K710, KP710, P710 130, P130, Q130, H130, Y130 V130, VP130, W130, WP130 230, N230, Q230, K230 W230, V230, UN230 G610, KG611 C30 SP311, SPL311 SR311 S30, SP30 GS30 C10, VC10, C10GT 150, H150 A221 A320, VHA320, SA320 140J, 160J	66-ON 71-ON 71-ON 66-ON 71-ON 69-ON 65-68 71-ON 69-ON 73-ON 66-71 71-ON 74- 69-71 65-70 67-70 70-ON 74-ON 69-71 66-ON 67-69 69-ON
	TN-128	37125-18000 37125-H1025 37125-18025 37125-H5000 37130-18000	DATSUN 1000 (SUNNY) DATSUN 1200 (SUNNY) SUNNY CAB DATSUN 120Y	B10, KB10, VB10, B20 B110, KB110, VB110 C20, VC20, C20 B210	66-ON 70-ON 72-ON 74-ON
	TN-129	39625-21005/4 39625-21000/1/2/3/4/5/6 39625-21025 39625-N21026 39625-N3725 3925-N4124/5/6 39625-U3825 3925-00125/7 37126-C9425 39625-U2125	DATSUN 1300 DATSUN 1400 DATSUN 1600 DATSUN 160B DATSUN 1800 DATSUN 180B LAUREL FAIRLADY Z FAIRLADY 240Z FAIRLADY 260Z FAIRLADY 260Z FAIRLADY 280Z	510 (FOR REAR AXLE) N510 (FOR REAR AXLE) P510, KP510 (FOR REAR AXLE) 610, K610 (FOR REAR AXLE) H510, KH510 (FOR REAR AXLE) P610, PK610 (FOR REAR AXLE) C30 (FOR REAR AXLE) S30, PS30 (FOR REAR AXLE) HLS30U, HLS30UA (FOR REAR AXLE)	68-71 71-ON 68-ON 72-ON 71-ON 72-ON 69-71 69-ON
	TN-130	37125-85461 37125-85425 37125-85460 37125-44025 37126-44000 37126-85460	JUNIOR PATROL	41, N41, Q40, Q41 B40, N40 C140, B140, 180 60	57-ON 57-ON

JAPANESE VEHICLES

CAR MAKE	TOYO NO.	MFG. NO.	CAR NAME	MODEL	YEAR
NISSAN	TN-131	37125-50001 37125-50000	6TON TRUCK	4W60, 4W61, G4W61 380, 580, 680, 681, U681	52-66 67-ON
			CARRIER BUS	R4W72, 4W73 UR690, U690, E690	60-69
	TN-132	37125-58025 27125-58000/1 37125-58026 37125-Z9028 37126-58000	6TON TRUCK	U680, U681	60-66 60-65
			BUS	682, UD682 680, 682 780, U780 U690	60-ON 70-ON
	TN-133	37125-99901 37125-90028	8TON TRUCK	T80, T81, TC80 5TC, 6TC, PTC 5TVC	59-ON
			10-11, 5TON TRUCK 11-12 TON BUS	5TW, 6TW B, RX, 4R, 4RA 5R, 5RA, 6R, 6RA	56-62
	TN-134	37125-76000/1 37125-76025 37125-J2025/7	CIVILIAN BUS CABALL JUNIOR CLIPPER PRESIDENT	E20, E23 C240, VC240, HC240, C340 H20, 140 250, H250	66-ON 68-ON
	TN-136	23020-4101 23020-65109 37125-84500	CLIPPER MILER	T, HT, YT, YSMT, YHWT	63-ON 63-ON 63-ON
			HOMER	CF, CK, CO, T20, HT20, VT20	
	TN-138	23904-0401 37125-68200	SKYLINE 1500	S50	63-ON
			GLORIA	S40	63-ON
	TN-141	37125-90128 37125-90226 37125-90228 37125-90426	TRUCK 8-11 TON	UD, CK20, CD CW31, 40, TW50 CD41, CD32, 50	68-ON
	TN-142	37125-99900	TRUCK	T80, TC, 6TW 4R, 5R, 6R	56-62
	TN-143	37125-90027 37125-90029	TRUCK	CW50, TZ50	75-ON
TN-144	48155-Z9003 45155-99000 48155-90000	U.J.KIT FOR STEERING UD	TC81, PTC81, 5TW, 6TW		
TN-145	37000-H8500 (Assy No.)	SUNNY 120Y NEW TYPE	B310	78-ON	
TN-146	37126-01G25	NISSAN PICK UP	TD23, SD23	85-ON	
TN-147	37125-25025	NISSAN PICK UP			
TN-148	37125-7F025				

JAPANESE VEHICLES

CAR MAKE	TOYO NO.	MFG. NO.	CAR NAME	MODEL	YEAR
MAZDA	TMZ-11	0136-25-060 0114-25-180 (SEALD FOR LIFT TYPE) 0136-25-002 0187-99-250 0817-89-251 2101-89-251	LIGHT 4-WHEEL CAROL 360 FAMILIA LUCÉ 1500	KRBB, BRBC, T600 KPDA, K360, R360, B360 SSa, SPA, SPB, MPA BSAVD, SPAV BSA55, BRA55 SUA, SUB, SUC, SUD SUE, SUF	59-ON 65-70 66-ON 66-ON
		TMZ-12	0180-25-060 0180-89-251	LIGHT 4-WHEEL LIGHT TRUCK PORTER KBDBV, KBDCV	B360, KBDAVD KBDA33 R330, R633 K360(NEW TYPE) KBDB33, KBDC33 KBDBV, KBDCV
	TMZ-13	0153-25-060 0164-25-060 0164-89-251 W001-89-251 W001-89-251/A	TRUCK TRUCK T1500 (3-WHEEL) TRUCK T2000 (3-WHEEL)	B1500, D2000 D110, D1500 TVB81, TV85 TVA12, TVA32, TAB85 TVA82, TVADA, TVADB	62-ON 61-ON 65-ON 65-ON
			TRUCK E2000 TRUCK E2300 TRUCK E2500, E2700 2TON TURCK	EXA12 EWC35S, EWC15D EXA12 EVA32S, EXA32 EXM12D/EXC12D	-68
			3.5TON TRUCK BUS TAITAN	EWS35S, ZXA35S, TA2XD-5W AEVA, AEW, AEXA	66-ON
	TMZ-16	0604-25-060 0706-89-251 D27Z-4758A 2525-25-060 0604-89-251/A 0604-99-250	CRAFT PROCEED B1600 BONGO	DUC91 (0304, 0603, 0613) BUC61, BUD61 FSA, FSAV, FPA, FPAV FSAH, FPAH B1600	-71 66-71 68-ON
	TMZ-17	0259-25-060 0259-89-251 2158-89-251 2158-25-060	FAMILIA 1000	MP2B, MP2C, MP2E, MP2E MP2F, MP2G, MP2H SP2A, SP2B, SP2C SP2D, SP2E MTD, STD MT2D, MT2M, MT2N ST2F, ST2D, ST2C M10A, M10E, S10C, S10E ST3A, MT3B, ST3K, MT13K S102A, S102B, S102C M102A, M102B, M102C, M102D SNA, SNB, SNC, SNH MNC, MNB, MNF, MND SNF, SNK, SNL, SNQ M122C, M122B, S122B, S122D SUAV, SUBV, SUCV (VAN) SVA, SUB, SVF, SVD SVH, SVK	67-70 67-70 67-70 67-70 68-70 70-ON 70-ON 69-ON 71-ON 71-ON 71-ON 70-ON 70-ON 70-ON 70-ON 67-ON 68-ON
			FAMILIA 1200, 323 FAMILIA PRESTO 1300		
			R100 (PRESTO) 808 (GRAND FAMILIA) RX-3 (SAVANNA)		
			616 (CAPELLA 1600) E1600		
RX-2 (CAPELLA) LUCÉ 1500 LUCÉ 1800 929 LUCÉ 2000 626					
TMZ-18	0727-25-060 0727-89-251/A Y001-89-251/A	BOXER	E3800, 3.5-4TON		
TMZ-19	1757-89-251	LUCÉ ROTARY COSMO ROTARY	RX4 121		
TMZ-20	3919-25-060 3919-89-251	FAMILIA AP	323		

JAPANESE VEHICLES

CAR MAKE	TOYO NO.	MFG. NO.	CAR NAME	MODEL	YEAR
MITSUBISHI	TM-171	12001-04100 12001-05000/1 (S)12018-21100 (B)12018-24001 14501-23100/1 14501-27000 MC808668 MC999303	6.5TON TRUCK 7.5TON TRUCK 8TON TRUCK 11TON TRUCK 11.5TON TRUCK 12TON TRUCK BUS	T410, T480 T370, W80 T330, T380, T800, T810 T931, T910 T390 T921 AR, MAR, MR, B12 R330, R480, R410, R420, R520 FM215	
	TM-172	13518-22000 MC860190 MC860288	4TON CAB TRUCK	T620, T622, T625, T630	65-ON
	TM-173	GPW-18397B GPW-7043 J-906926/9 JA-7042 K5-21X MJ-906929	JEEP (MITSUBISHI) DEBONEA	MB, 3B, J30, J36 J3, J20, J32 A30	42-ON
	TM-176	13001-15400 13018-21200 (S)13018-21000 (B)13018-23000	CANTER 2TON CAB TRUCK	T720 T722	67-70
	TM-177	JA-946 ST0008	COLT 1000 COLT 1500	A25, A30	64-ON 64-ON
	TM-178	202157A ST0003	COLT 800 MINICA	A101V, LT30, 131 S40, A101, 102, 103	
	TM-179	A-126433 MB000345 MB000391 MST-05012 ST00024(ST0024) ST-5012	COLT 1200 DELICA	A23, A27 T120	
	TM-180	12001-06000 12001-06010/1 (S)12018-01100 (B)12018-04000 (S)12018-01201 (B)12018-01282 B905N, T951D MC999304 MC999495	12TON CAB TRUCK TRUCK	T951 (REAR WHEEL 2AXLES) T800FD, T810CD, B806N KNQ, KQ, QP T811AR, T811NP	
	TM-181	MB000345 MA126433 A126433 MT372505 MD000392 MB000390 MB000393 MB000827	COLT GALANT A1 COLT GALANT A2 COLT GALANT GTO M1 COLT GALANT GTO M2 COLT GALANT GTO M3	A51FU, A51S, A51US A52KJ, A52FJ, A52GS A53CJ, A54FU, A54VS A53CGS, A61E, A61J A53CGR	69-71 69-71 71-ON 71-ON 71-ON
	TM-182	13501-11010 MC860230 MC860285/6 MC860288	FUSO TRUCK 4 4.5TON	T653	73-ON
TM-183	12001-10001 12001-07000 12019-10001 MC999305	FUSO	B906 T981	73-ON	

JAPANESE VEHICLES

CAR MAKE	TOYO NO.	MFG. NO.	CAR NAME	MODEL	YEAR
MITSUBISHI	TM-184	18433-10020 18433-51700 MC800270	FUSO FOR STEERING		
	TM-185	MB000300	COLT LANCER	6J 1200CC, A71, 72, 73	75-ON
	TM-186	MT047756	NEW CANTER	T200, 206, 210, 220, T91-98	73-ON
	TM-187	MB000119 MB000159	NEW CANTER	FE100, 101, 111, 120, 211, FC212	78-ON
	TM-188	MB000776 MB000823/4/6 MB154261 MR196838	DELICA DIESEL		78-ON
	TM-189	MB000392			
	TM-190	14801-06000/1 MC807620	FUSO	MS512, MS513	
	TM-191	MB000948	JEEP		
	TM-192	MB000697	MINICA5		
	TM-193	MB000267	NEW CANTER		

JAPANESE VEHICLES

CAR MAKE	TOYO NO.	MFG. NO.	CAR NAME	MODEL	YEAR
ISUZU	TIS-151	5-34300-029-0	BELLETT	PS10, PS10V, PS20, PS20V	62-ON
		9-37300-017-0		PR10, PR20	
		9-37300-019-0	FLORIAN	PA	62-ON
		9-37300-031-0	ELF	TL121, TL151, TL221	61-63
		9-37300-091-0		TL251, TL321, TL351	61-63
		9-37300-092-0	ELFIN	TK	64-ON
		9-37300-605-0	WASP	KR10, KRD10	64-ON
		9-37300-609-0			
9-85582-805-0					
TIS-152		8-94155-632-0	ELF	KR TLG11, TLG21, TLG30 TLD11, TLD21, TLG30-60 TKG11, TKD11-60, TLD53	63-64
		8-94238-930-0	ELF		
		9-37300-035-0			
		9-37300-036-0	ELFIN		
		9-37300-065-0			
		9-37300-109-0			
		9-37300-601-0			
		9-37300-603-0			
		9-44135-226-0			
		94027819			
TIS-154		9-37300-016-0	TRUCK	TX341, TX552	58-68
		9-37300-055-0	3.5-4TON TRUCK	TY	58-ON
		9-37300-112-0	TRUCK (DIESEL) BUS	TY20, TY30 BX352, BX552, BX752 BA741, BA10, BA20 BX, BF	67-ON 58-62
TIS-155		1-37300-010-0	8TON TRUCK	TD151	59-61
		1-37300-018-0	7.5-8TON TRUCK	TD50, TD60, TD70	70-ON
		1-37300-026-0		TD51, TD71	70-ON
		1-37300-029-0	7.5-8TON DUMP	TD50D, TD50AD	70-ON
		1-37300-056-0		TD51D, TD51AD	70-ON
		1-37300-088-0	7.5-8TON CAB TRUCK	TD10E, TD50E, TD70E	70-ON
		9-37300-004-0		TD80E, TD90E	66-ON
		9-37300-007-0		TD51E, TD71E, TD81E	70-ON
		9-37300-056-0		TD91E, TD11E	70-ON
		9-37300-095-0	7.5-8TON CAB DUMP	TD35E, 75E	70-ON
		9-37300-150-0	10TON TRUCK	TP81	66-ON
			10TON DUMP	TP60D, TD61D, TP81	70-ON
			10TON CAB TRUCK	TP81E, TP91E, TP11E	66-ON
			10TON CAB DUMP	TP41ED	70-ON
			11TON DUMP	TM65D	70-ON
			11TON CAB DUMP	TM45ED	70-ON
	11-12TON TRUCK	TM85E, TM95E, TM50E, TM15E	70-ON		
		TG55E, TG75E	70-ON		
	BUS	BU, BR			
TIS-156		5-37300-019-0	FASTER	KB20D, KB20	72-ON
		9-37300-031-0	(CHEVY LUV)		
		9-37300-609-0			
		9-85582-805-0			
		9402181			
TIS-157		1-37300-042-0	12TON TM	TM, TME, TG-E, TD35E	71-ON
		1-37300-043-0/1			
		1-37300-045-0			
		1-37300-046-0			
		9-37300-136-0/1			
		9-37300-160-0			
9-37300-163-0					

JAPANESE VEHICLES

CAR MAKE	TOYO NO.	MFG. NO.	CAR NAME	MODEL	YEAR
ISUZU	TIS-158	1-37300-011-0 9-37300-016-0 9-37300-055-0 9-37300-096-0 9-37300-112-0 9-37300-122-0 9-37311-005-0 9-37311-013-0	6TON NEW TYPE (4T)	TY, BY, TX, TS, TW BX, BA, TP60W	69-ON
	TIS-159	1-44130-124-0 1-44135-065-0 1-44135-045-0 9-44130-224-0 9-44135-052-0 9-44135-060-0 9-44135-076-0 9-44135-077-0	U.J.KIT FOR STEERING ISUZU	TD70E, 80, 90, 71, 81, 91, TD.	
	TIS-160	9-37300-139-0	10TON	TMK, TV SPZ, SR, VPZ, JCZ	
	TIS-161	5-37300-008-0 5-37300-031-0 9-37300-031-0 94024511 94027724	FASTER (CHEV LUV)		75-ON
	TIS-162	1-37300-011-0 1-37300-013-0 1-37300-014-0 1-37300-053-0 1-37300-058-0	FOWARD	JCM, JCR, JBR	
	TIS-163	8-94207-232-0/1 8-94203-821-1	GEMINI (PROPELLER SHAFT AS- SEY)	PF50	
	TIS-164	1-37300-047-0 1-37300-047-1/2		ECM, 6BD1, JCR360	81-ON
	TIS-165	1-37300-004-0 1-37300-019-0 1-37300-020-0 1-37300-030-0 1-37300-035-0 8-94376-373-0	10.5TON		
	TIS-166	5-37300-0320		KS	
	TIS-167	1-37300-049-0	15TON	XF	

JAPANESE VEHICLES

CAR MAKE	TOYO NO.	MFG. NO.	CAR NAME	MODEL	YEAR
HINO	TH-161	04037-4001/4 (S)2813-3402-01 (B)3300-3404-02/03 37411-1070 (B)3813-3404-01/02 9-953-3401-01	6.5-8TON TRUCK BUS	TH80, TE10, TE11, TE16 TA, KC, KB, KA TH16, TH17 BN, RB10, RB120 BG13, RC10, RC300, RE BT51, BE61, BT71 TH12, TH17, TH14 TH80, TH300, TH320 TH400 KT920	
	TH-162	04037-4005/4003 (S)2301-3407-01 2-301-3407-03 (B)2813-3404-01 (B)3-300-3404-02/03 3-302-3403-01/05/06 37400-1120 (S)37411-1020 (B)9885-29102 9-953-3401-15	8TON CAB TRUCK 10TON CAB TRUCK 11TON DUMP BUS	TC301D, 321, 311, TC7720, 740 KA300, HF100, KG300 TC30 ZM100D RC100, RC120, RC140 RC320, RE100, RE120 RE140, BT51, BT71 KFZM FK100, EF300	62-ON
	TH-163	3-331-3403-01 3-310-3403-01 3-445-3403-02 37400-1130	3.5TON TRUCK 4.5TON TRUCK MICRO BUS	KM300, KM320D, KM310, KM410 KM400 KL300, KL320, KL340 KL360, KL400 RM100	
	TH-164	3-302-3403-06 (B)3302-3404-05 (S)2302-3407-01 37400-1120 37411-1140	11TON CAB TRUCK	ZM700 100, 120, 220 KM700, KM720, HG300 TC301D, TC321, TC311 TC720, TC740, TG300 LB	67-ON
	TH-165	3445-3403-04/05 37400-1110	4.5TON TRUCK	KL500	
	TH-166	45220-1050 45220-1070 6041-8409-00 6041-410900	U.J. KIT FOR STEERING HINO	KC300, 400, TH800, 300, 320 KB320, 340, KF1711, TC301, 340	
	TH-167	3301-3403-01 37400-1010/11	BUS	RC420P, RF620, RC300	
	TH-168	0437-4008		EXEF	
	TH-169	45220-1060 3445649012/15	U.J. KIT FOR STEERING	KT725, 925, 729, 929, 920	
	TH-170	(S)37401-1061/0 (B)9885-32101		KT725	
	TH-171	(S)37401-1010/80/81 (B)9885-32101		KT925	
	TH-172	(S)37401-1080/81 (B)9885-32101		KT925	
	TH-173	(S)37401-1021 (B)37402-1011		RE101, 121, 161 JM403 KF, ZM, TC, FB400, EK100, EF300	
	TH-174	(S)37401-1100 (B)37402-1180			
	TH-102	40150-567-003 40410-567-013 AK250-6203S	TRUCK	TN360, LN360 T500, AK280, T360 L800 P800 (40104-500-003)	
	TH-103	44330-538-004	PASSENGER	N360	

JAPANESE VEHICLES

CAR MAKE	TOYO NO.	MFG. NO.	CAR NAME	MODEL	YEAR
DAIHATSU	TD-181	4141-4120	HIJET NEWLINE	L35, L37, S35 L50	61-75
	TD-182	4610-4120	3-WHEEL TRUCK HILINE TRUCK 1-1.5TON TRUCK 2TON TRUCK 2TON6 DUMP 3TON TRUCK 3TON DUMP BUS	CM, CO, DO, EO F100, F100V, F108 F110, F118 V100, V150, V200, V300 SV10, SV15 SV20, DV20 SV22, SV24 DV22, DV24 DV20D DV30L, DV32L DV30D, DV32D SV22N	61-68 68-ON 63-ON 63-ON 63-ON 63-ON 63-ON 64-ON 65-ON
	TD-183	4123-4120	COMPAGNO BERLINA	F30 F40, F402	64-ON 64-ON
	TD-184	04371-87301	DELTA JEEP	DV26 DELTA 1500, 2000, 2500	
	TD-185	04371-87302	DELTA	DELTA 3000, DV28	
	TD-186	2611-4120 04371-87501 04371-87502	HI JET	S38P S40	76-ON
	TD-187	04371-87303	DELTA		
	TD-188	04371-87503 04371-87505	HI JET	S70	
	TD-189	04371-87304			
SUZUKI	NLS1	27201-58833 27200-58833 27200-52011 27200-73810/12/13	FRONTE JIMNY JEEP 4 cyl.	360, LC10, 20, 50 LJ80	78-ON
	NLS2	27100-6700	CARRY	L50, L60	
	NLS3	27100-63850 FRONT	JIMNY (JEEP)	HSJ10F, HSJ10VM	73-ON
	NLS4	27100-302 CENTER	JIMNY (JEEP)	HSJ10F, HSJ10VM	73-ON
	NLS5	27100-63860 REAR	JIMNY (JEEP)	HSJ10V, HSJ10VM	73-ON
	NLS6	27100-72100 (Assy No.) 27200-60511	SUZUKI PICK UP 550cc	ST20, ST20K, ST20V, ST30, ST90	77-ON
	NLS7	27200-83000/10			
SUBARU	NLSR2	6234-00020	PASANGER TRUCK	R-2	
	NLSR3	6232-43000	LEONE	76A, 0712	
	NLSR4	6220-32000	LEONE	75A, 0712	
OTHERS	NLPUMP1	S164-61040-0	KAWANISHI DUMP	(SMALL TYPE)	
	NLPUMP2	37300-070 S164-61047-0	KAWANISHI DUMP	(LARGE TYPE) NEW TYPE	
	NLPUMP3	YK220A	KONGO DUMP		

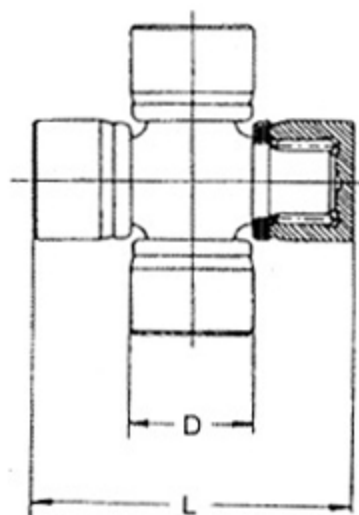
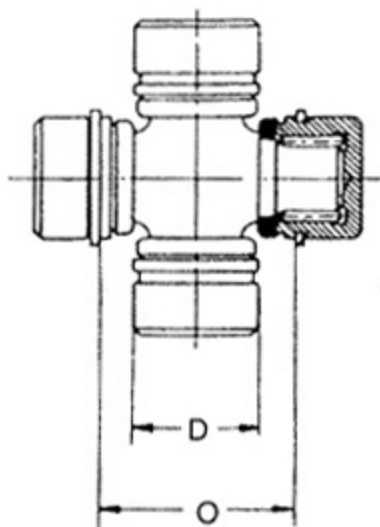
HEAVY EQUIPMENT

CAR MAKE	TOYO NO.	MFG. NO.	MODEL
KOMATSU	TKO-101	101-10-17100 101-10-00070	D20-A3
	TKO-102	101-10-17200 101-10-00080	D20-A3
	TKO-103	101-10-00042 ASSY	D20-A3
	TKO-104	111-10-16110 111-10-16120 113-12-00010	D30-AP D31
	TKO-105	131-10-46110	D40, 45 D50 (35002-up)
	TKO-106	135-14-00030 145-14-00190 145-14-35110	D50 (65001-up) D60-A6 (20006-up) D57S (6501-up)
	TKO-107	150-11-12360	D80A-12 D85
	TKO-108	175-20-00060	D150, 155
	TKO-109	141-10-14210 × 1 SPIDER 141-10-14160 × 2 BEARING 141-10-14190 × 2 BEARING	D60-A3
	TKO-110	141-10-00012 W/YOKE ASSY	D60-A3
	TKO-111	150-111-00097 W/YOKE ASSY	D80, 85
	TKO-112	111-60-11110 FOR PUMP	D30
	TKO-113	154-66-12100 FOR WINCH	D80
	TKO-114 TKA-101	380-135764-1	500 507 510
	TKO-115 TKA-102	380-136142-1	JH90E JH80B
	TKO-116 TKA-103	380-154073-1 380-885518-1 380-886527-1 380-886531-1	JH60A
	TKO-117 TKA-104	380-154081-1 380-885526-1 380-886765-1	JH30 JH63

HEAVY EQUIPMENT

CAR MAKE	TOYO NO.	MFG. NO.	MODEL
KOMATSU	TKO-118 TKA-105	380-890373-1 381-881908-1	JH63 JH80B
	TKO-119 TKA-106	381-881908-1	515
	TKO-120 TKA-107	381-972625-1 381-976220-1	JH65
	TKO-121 TKA-108	381-976907-1	JH90E
	TKO-122 TKA-109	381-976908-1	JH65
	TKO-123 TKA-110	381-985204-1	JH65
	TKO-124 TKA-111	385-10155511	505 507
	TKO-125 TKA-112	385-10178551 385-10178561	530
	TKO-126 TKA-113	385-10178571	JH63 530
	TKO-127 TKA-114	385-10193741	540
	TKO-128 TKA-115	385-10238601	540
TCM	NLTC-1	25073-30299	
	NLTC-2	24023-30301	CJ20-3
	NLTC-3	25073-30222	CJ19-7B
	NLTC-4	26113-38001	
	NLTC-5	93984-41300	
	NLTC-6	29003-37221	
	NLTC-7	93984-03600	
	NLTC-8	93950-14000	

MEASURING SYSTEM FOR UNIVERSAL JOINT REP. KITS



D=∅ Bearing diameter

O=Inside snapping

L=Outside snapping

Identification of universal joints

The No. of a universal joints may be found quickly from the table. Measure the bearing diameter (L) and the length between bearing faces (N) or the length between snapping grooves on bearings (O) of the worn part. The No. can be traced then by comparing the measured dimensions with those specified in the table.

IDENTIFICATION AND WEIGHT LISTING

TOYO NO.	Fig.	D	L	O	P	R	NET WEIGHT	GROSS WEIGHT
TU-200L(NL-410)	N	24.00	63.30				290g	340g
TU-297	H	24.06	78.00				500g	520g
TU-300	A	19.04	51.95				170g	220g
TU-350	A	19.04	51.95				170g	220g
TU-400	N	23.82	61.30				275g	325g
TU-410	N	24.00	63.30				290g	340g
TU-500	B	23.82	61.30				275g	325g
TU-510	B	23.82	61.30				285g	340g
TU-600	B	23.82	61.30				260g	310g
TU-700	A	26.99	61.86				285g	340g
TU-720	A	25.00	56.90				267g	320g
TU-730	A	25.00	56.90				267g	320g
TU-750	A	25.03	60.00				270g	320g
TU-800	A	26.99	61.85				300g	355g
TU-1000	B	26.99	81.75				480g	530g
TU-1000L	N	26.99	81.75				490g	540g
TU-1020	G	26.99		52.5			510g	565g
TU-1100	B	26.99	74.60				425g	480g
TU-1100L	N	26.99	74.60				445g	500g
TU-1200	E	22.00		35.3			375g	430g
TU-1600	B	23.00	58.20				265g	315g
TU-1650	O	22.03	58.80				230g	280g
TU-1660	O	22.03	58.80				230g	280g
TU-1670	M	24.06	62.40				320g	375g
TU-1700	O	22.00	55.60				230g	280g
TU-1710	E	24.00		40.00			280g	330g
TU-1720	G	28.00		44.00			440g	490g
TU-1730	B	23.82	62.40				330g	385g
TU-1740	F	31.02		44.1			600g	660g
TU-1760	M	22.06	67.10				450g	505g
TU-1770	M	22.06	63.5				420g	475g
TU-2000	B	30.18	106.30				820g	920g
TU-2000L	N	30.18	106.30				850g	950g
TU-2010	B	32.00	106.30				895g	1,000g
TU-2050	B	30.18	106.30				820g	920g
TU-2050L	N	30.18	106.30				850g	950g
TU-2100	O	22.21	62.10				270g	320g
TU-2200	B	30.18	92.05				680g	780g
TU-2200L	N	30.18	92.05				870g	830g
TU-2300	B	34.92	106.30				1,120g	1,320g
TU-2500	F	31.25		46.05			580g	680g
TU-2560	F	30.00		57.00			680g	780g
TU-2600	F	31.25		71.40			890g	990g
TU-3000	U	39.69	115.95				1,815g	2,114g
TU-3500	B	39.69	115.95				1,580g	1,810g
TU-3800	O	44.04	126.00				2,240g	2,840g
TU-3810	O	50.00	152.60				3,700g	4,200g
TU-3840	O	44.00	149.00				2,240g	2,640g
TU-3850	O	39.00	127.00				1,560g	2,160g

IDENTIFICATION AND WEIGHT LISTING

TOYO NO.	Fig.	D	L	O	P	R	NET WEIGHT	GROSS WEIGHT
TU-3860	O	50.00	164.00				3,060g	3,660g
TU-3870	O	44.00	149.00				2,240g	2,640g
TU-3880	O	50.00	164.00				3,060g	3,660g
TU-4000	I	47.62	134.90				2,890g	3,488g
TU-4010	O	49.00	135.00				2,300g	2,900g
TU-5000	I	49.20	154.74				3,490g	4,088g
TU-5010	O	49.00	154.96				3,050g	3,648g
TU-5950	E	25.40		38.80			340g	390g
TU-5960	J	25.40		38.80	65.05	33.34	440g	490g
TU-5970	J	25.40		38.80	72.52	33.34	610g	660g
TU-6500	T				115.05	42.88	1,370g	1,958g
TU-6600	T				140.45	42.88	2,070g	2,668g
TU-6700	T				148.38	49.20	2,690g	3,288g
TU-7000	G	28.00		42.00			435g	485g
TU-7010	O	24.00	34.40				310g	360g
TU-7020	G	29.00		51.90			510g	550g
TU-7050	B	28.98	75.44				500g	540g
TU-7060	B	28.98	75.44				500g	540g
TU-7100	J	25.40		38.80	65	33.00	510g	550g
TU-7150	E	25.40		38.80			370g	410g
TU-7200	G	34.00		51.10			875g	975g
TU-7280	G	28.00		49.00			520g	552g
TU-7280/1	G	28.00		49.00			520g	552g
TU-7280/3	G	28.00		49.00			495g	504g
TU-7280/4	H	24.06	74.50				420g	460g
TU-7290	G	29.52		51.60			520g	560g
TU-7300	F	38.00		56.00			1,070g	1,270g
TU-7390	O	50.00	153.80				3,250g	3,575g
TU-7410	E	26.00	69.80				340g	380g
TU-7420	B	30.00	81.70				500g	540g
TU-7430	B	35.00	96.80				1,000g	1,200g
TU-7440	B	38.00	106.10				1,130g	1,190g
TU-7460	O	44.00	124.82				2,000g	2,600g
TU-7470	F	42.00		66.00			1,700g	1,810g
TU-7490	O	45.04	118.10				2,000g	2,400g
TU-7530	O	45.04	120.40				2,000g	2,400g
TU-7540	O	45.04	121.60				2,050g	2,450g
TU-7560	O	52.05	133.00				3,500g	3,800g
TU-7590	O	52.00	133.00				3,650g	4,050g
TU-7610	O	53.00	135.00				3,700g	4,100g
TU-7630	O	57.00	152.00				3,900g	4,300g
TU-7800	A	22.00	59.00				245g	295g
TU-7900	E	26.01		45.20			370g	420g
TU-8100	O	47.00	131.10				3,800g	4,200g
TU-8110	O	50.00	131.00				4,100g	4,400g
TU-8130	O	57.00	144.00				3,800g	4,200g
TU-9010		19.02	47.80				200g	250g
TU-1538	M	15.00	38.00				100g	120g
TU-1540	M	15.00	40.00				110g	130g

APPLICATION LIST

TU-7150	Opel	NL-7630	Daimler Benz				
TU-7200	Opel	NL-7800	Daimler Benz				
TU-7280	Daimler Benz	NL-7900	Daimler Benz				
TU-7280/1	Daimler Benz	NL-8100	Bussing DAF				
TU-7280/3	Daimler Benz		Daimler Benz Hanomag Henschel				
TU-7280/4	Daimler Benz		Kaelble Magirus				
TU-7290	Daimler Benz	NL-8110	DAF Daimler Benz				
TU-7300	Daimler Benz Hanomag Henschel		Magirus MAN				
TU-7390	Alfa Romeo Bussing Daimler Benz Hanomag Henschel Kaelble	NL-8130	DAF Daimler Benz Magirus MAN				
TU-7410	BMW Daimler Benz	NL-9010	GWB				
TU-7420	GWB	ST-1538	Staked Joint				
TU-7430	DAF Daimler Benz Kaelble Magirus	ST-1540	Staked Joint				
TU-7440	Daimler Benz Hanomag. Henschel Kaelble Magirus MAN	ST-1638	Staked Joint				
TU-7460	Bussing DAF Daimler Benz Hanomag Henschel Kaessbohrer Magirus MAN	ST-1640	Staked Joint				
TU-7470	Daimler Benz Hanomag Henschel	ST-1948	Staked Joint				
TU-7490	Klein						
TU-7530	Daimler Benz						
TU-7540	GWB						
TU-7560	DAF Daimler Benz						
TU-7590	DAF MAN						
TU-7610	Daimler Benz						

EUROPEAN VEHICLES AND AGRICULTURAL

MODEL	YEAR	ORIGINAL NO.	TOYO NO.	MODEL	YEAR	ORIGINAL NO.	TOYO NO.
ABARTH				AUTO UNION			
595 SS			TU-400	F11	59-65	6030-020-1400	
695 SS, SS Corsa			TU-400	F12	62-65	6030-020-1400	
ALFA ROMEO				BEDFORD			
Autocano 1 AS		173.524.704	TU-3500	EFR 1:EFR 1 408/9		70 88 368	TU-3500
		173.525.704	TU-4000	EFR 3 (KEL 3/5)		70 88 368	TU-3500
Autocano 2 AS		150.03.15.031.00	TU-7390	EFR 3 (KGL 3)		70 88 368	TU-3500
1300				EFR 3 408/9		70 88 368	TU-3500
Giulia Super	62-	136.524.805	TU-500	EFR 4 (KGE 3)		70 88 368	TU-3500
GT Junior	66-77	136.524.805	TU-500	EFR 4 W 408		70 88 368	TU-3500
Spider Junior	68-	136.524.805	TU-500	EFR 6		70 88 368	TU-3500
GTA Junior	68-77	136.524.805	TU-500	EFR 6 W 408/9		70 88 368	TU-3500
Nuova Super	74-	136.524.805	TU-500	EJM 2 (KDS 5)		70 88 368	TU-3500
1600				EJM 2 W 310		70 88 368	TU-3500
Giulia Super	65-	136.524.805	TU-500	EJM 3		70 88 368	TU-3500
GT Junior	72-77	136.524.805	TU-500	EJM 3 W 310		70 88 368	TU-3500
Spider Junior	72-	136.524.805	TU-500	EJR 1		70 88 368	TU-3500
Junior Z	72-	136.524.805	TU-500	EJR 1 W 408/9		70 88 368	TU-3500
1750				EJR 3		70 88 368	TU-3500
Giulia	68-	105.12.15.030.00	TU-410	EJR 3 W 408/9		70 88 368	TU-3500
Giulia GTA	-68	105.12.15.030.00	TU-410	EJR 4		70 88 368	TU-3500
GT Veloce	-68	105.12.15.030.00	TU-410	EJR 4 W 408		70 88 368	TU-3500
Spider Veloce	-68	105.12.15.030.00	TU-410	EJR 6		70 88 368	TU-3500
				EJR 6 W 408/9		70 88 368	TU-3500
				EJQ 8		70 88 368	TU-3500
				EJQ 8 W 408/9		70 88 368	TU-3500
				EJN 3		70 88 368	TU-3500
				EJN 3 W 196		70 88 368	TU-3500
				EDM 2 W 310		70 90 700	TU-2000
				EOF;EOG;EOL		70 90 700	TU-2000
				EDM 3 W 310		70 90 700	TU-2000
				EPR 1(KGS 60)		70 88 368	TU-3500
				EPR 3(KGL 60)		70 88 368	TU-3500
				EPR 4(KGE 60)		70 88 368	TU-3500
				EPR (KGT 60)		70 88 368	TU-3500
				EPR 7 (KGTE 60)		70 88 368	TU-3500
				EPR 8 (KGA 60)		70 88 368	TU-3500
				ERT 2 (KHM)		70 88 368	TU-3500
				ERT 2 W 941/2/3		70 88 368	TU-3500
				ERT 3 W 941/2/3		70 88 368	TU-3500
				ERT 3 (KHL)		70 88 368	TU-3500
				ERT 4 E W 941/2/3		70 88 368	TU-3500
				ERT 6 W 941/2/3		70 88 368	TU-3500
				ERT 6 (KHT)		70 88 368	TU-3500
				ERT 8 W 941/2		70 88 368	TU-3500
				ERT 8W 941/2/3			TU-4000
				ERT 8 (KHA)		70 88 368	TU-3500
				ERV 1			TU-4000
				ERV 1 W 941/3			TU-4000
				ERT 3 (KMH)			TU-4000
				ERV 3 W 941/3			TU-4000
AUSTIN				AUTOBIANCHI			
A-40-Farina-MK II	61-68		TU-400	Ambrosiano 2 AS		878 942/943	TU-2010
A-60-Cambridge;	61-69		TU-400	Scaligero Eatense		878 942/943	TU-2010
Diesel	61-69		TU-400	Sforzesco ZAS		2810/1-2/46847	TU-2000
A-70 B.5.3	50-54		TU-1100	Visconteo 25 Q.LI		2810/1-2/46847	TU-2000
A-70 Pick Up	49-53		TU-1100	Visconteo 32 Q.LI		2810/1-2/46847	TU-2000
A-95;99;105;110			TU-1100				
3 Liter Saloon	68-69		TU-1100				
Healy Sprite III	58-72		TU-400				
Healy Sprite IV	58-72		TU-400				
Healy 3000			TU-1100				
BMC TM25			TU-400				

EUROPEAN VEHICLES AND AGRICULTURAL

MODEL	YEAR	ORIGINAL NO.	TOYO NO.	MODEL	YEAR	ORIGINAL NO.	TOYO NO.
BEDFORD (continued)				380 K		943-541-518	TU-2000
				440 K		943-541-518	TU-2000
ERV 6 (KMR)			TU-4000	450 K		943-541-518	TU-2000
ERV 6 W 941/3			TU-4000	480 K		943-541-518	TU-2000
ERV 7 (KMS)			TU-4000	500 K		943-541-518	TU-2000
ERV 7 W 941/3			TU-4000	530 K		943-541-518	TU-2000
ERT 8 STND			TU-4000	550 K		943-541-518	TU-2000
ERV 8 W 943 (KMB)			TU-4000	560 K		943-541-518	TU-2000
ERV 8 W 941			TU-4000	560 K 6		943-541-518	TU-2000
ERV 9			TU-4000	600 KB		943-541-500	TU-3500
ERV 9 W 941/3			TU-4000	610 K 6		943-541-518	TU-2000
ERV 1 HX W 941/3			TU-4000	620 KB		943-541-500	TU-3500
EFM 2; EFM 2 W 310		70 88 368	TU-3500	680 KB		943-541-500	TU-3500
EFM 3; EFM 3 W 310		70 88 368	TU-3500	700 KB		943-541-500	TU-3500
EFM 3; EFM 3 W 196		70 88 368	TU-3500	770 K;KB		943-541-500	TU-3500
EDHM 2		70 90 700	TU-2000	771 KB		943-541-500	TU-3500
EDHM 3		70 90 700	TU-2000	880 KB;KBT		943-541-500	TU-3500
EFJQ 1		70 88 368	TU-3500	881 KB		943-541-500	TU-3500
EFJQ 1 W 141/3		70 88 368	TU-3500	950 KB		943-541-500	TU-3500
EFJQ 1 W 408/9		70 88 368	TU-3500	950 KB 6;KBT 6		943-541-600	TU-4000
EFJQ 3		70 88 368	TU-3500	951 KB		943-541-500	TU-3500
EFJQ 3 W 196		70 88 368	TU-3500	Stradair 10;20;30	-66	943-541-518	TU-2000
EFJQ 3 W 941/3		70 88 368	TU-3500	Stradair 20 AT	66-	943-541-500	TU-3500
EFJQ 8 (KFA 3/5)		70 88 368	TU-3500	Stradair 30A;40A;50A		943-541-500	TU-3500
EFJQ 8 W 408/9		70 88 368	TU-3500	Stradair 30TA;40TA;50TA		943-541-500	TU-3500
EFJN 3 W 196		70 88 368	TU-3500	GAK 20 H		943-541-500	TU-3500
EFJR 6 (KGT 3/5)		70 88 368	TU-3500	GAK;60;65;70;75		943-541-500	TU-3500
EFRA (KGM 3)		70 88 368	TU-3500	GBA 6 MT		943-541-500	TU-3500
EFRA W 408		70 88 368	TU-3500	GBC 8		943-541-500	TU-3500
EPRA W 408		70 88 368	TU-3500	GBC 34		943-541-500	TU-3500
EJRA		70 88 368	TU-3500	GBC 8 KT;MT M3		943-541-500	TU-3500
EJRA W 408		70 88 368	TU-3500	GBC 160 MT		943-541-500	TU-3500
EF 7 RG W 408/9		70 88 368	TU-3500	GBK 6;18;75;80		943-541-500	TU-3500
HRX			TU-4000	GBH 12;260;280		943-540-918	TU-5000
HRX W 941/3			TU-4000	GAK 4;5;17;19;50		943-541-518	TU-2000
KA;KB;KC		70 90 700	TU-2000	GCK 8		943-541-500	TU-3500
KDL 2/10		70 90 700	TU-2000	GCK 160-GL-TL 900		943-541-500	TU-3500
KDS 2		70 90 700	TU-2000	GCK 8 AR		943-541-600	TU-4000
MFJQ 2; MK		70 88 368	TU-3500	GCK 160 A;B		943-541-600	TU-4000
NFJM		70 88 368	TU-3500	GLC 6 M3;RM3		943-541-500	TU-3500
NFJM W 196/310		70 88 368	TU-3500	GLM 10;12		943-541-500	TU-3500
PFJK		70 88 368	TU-3500			943-541-600	TU-4000
PFJK W 196/310		70 88 368	TU-3500	GBH 12 6 x 6		943-541-500	TU-3500
TFP; TFP W 408		70 88 368	TU-3500	GLC 8 M2;M3		943-541-600	TU-4000
TRP; TRP W 907		70 88 368	TU-3500	GLR 8 M3;RM 3;RM 3A		943-541-600	TU-4000
WRQ; MFJQ 1		70 88 368	TU-3500	GLR 160 A.B;MC		943-541-600	TU-4000
YRQ; YRQ W 946		70 88 368	TU-3500	GR 190;190/2;230;BOM		943-541-600	TU-4000
				GRH 230		943-541-600	TU-4000
				GBO-TBO 15 M3		943-541-600	TU-4000
				GBU 15-GC-GF-BOM		943-541-600	TU-4000
				190;190/2;230			
				GLM 10 M2 M3		943-540-918	TU-5000
				GLM 10;12		943-540-918	TU-5000
				GLM 12 6 x 4;6 x 4S		943-540-918	TU-5000
				GRL 10 M3		943-540-918	TU-5000
BERLIET							
10 K		943.541.500	TU-3500				
20 K		943.541.500	TU-3500				
30 K		943.541.500	TU-3500				
350 K		943.541.518	TU-2000				

EUROPEAN VEHICLES AND AGRICULTURAL

MODEL	YEAR	ORIGINAL NO.	TOYO NO.	MODEL	YEAR	ORIGINAL NO.	TOYO NO.
BERLIET (continued)				BMW		33.97.030	TU-7390
GRL 200; 250; 260		943.540.918	TU-5000	316	75-	26 1 11 105 398	TU-1670
GPL 12 E		943.540.918	TU-5000	318	75-	26 1 11 105 398	TU-1670
GR 10; 200; 205; 250; 260		943.540.918	TU-5000	320;320i	75-	26 1 11 105 398	TU-1670
280; 320				323	77-	26 1 11 105 398	TU-1670
GRH 230;350		943.540.918	TU-5000	518	74-	26 1 11 105 398	TU-1670
L 62 M3;RM3		943.541.500	TU-3500	520;520A;520i	72-	26 1 11 105 398	TU-1670
L 64 6 M3;RM3		943.541.500	TU-3500	525	73-	26 1 11 105 398	TU-1670
L 64 7 M3		943.541.500	TU-3500	528	74-	26 1 11 105 398	TU-1670
		943.541.600	TU-4000	528i	77-	26 1 11 105 398	TU-1670
PAH		943.541.500	TU-3500	530i	77-	26 1 11 105 398	TU-1670
PBH 8		943.541.500	TU-3500	630 CS	76-	26 1 11 105 398	TU-1670
PH 3-520		943.541.500	TU-3500	630 CSi	76-	26 1 11 105 398	TU-1670
PH 80		943.541.500	TU-3500	635 CSi	78-	26 1 11 105 398	TU-1670
PHN 8		943.541.500	TU-3500	728	77-	26 1 11 105 398	TU-1670
PG 3064		943.541.600	TU-4000	730	77-	26 1 11 105 398	TU-1670
		943.540.918	TU-5000	733i	77-	26 1 11 105 398	TU-1670
PG 3584		943.540.918	TU-5000	1502	75-78	26 1 11 105 398	TU-1670
PG 4084		943.540.918	TU-5000	1600	62-75	26 1 11 105 398	TU-1670
PH 3 L 520		943.541.600	TU-4000		62-67	33 2 13 614 170	TU-7410
PH 3 L 620		943.541.600	TU-4000	1600 Touring	71-75	26 1 11 105 398	TU-1670
PH 3 L 635		943.541.600	TU-4000	1602	66-75	26 1 11 105 398	TU-1670
PH 4		943.541.600	TU-4000	1800	-71	26 1 11 105 398	TU-1670
PH 8-100		943.541.600	TU-4000		-67	33 2 13 614 170	TU-7410
PH 85		943.541.600	TU-4000	1800 Touring	71-75	26 1 11 105 398	TU-1670
PHL;PHL 8		943.541.600	TU-4000	1802	71-75	26 1 11 105 398	TU-1670
PHN 10		943.541.600	TU-4000	1802 Touring	71-75	26 1 11 105 398	TU-1670
PM 4		943.541.600	TU-4000	2000	-72	26 1 11 105 398	TU-1670
PM S/2		943.541.600	TU-4000		-67	33 2 13 614 170	TU-7410
		943.540.918	TU-5000	2002	68-75	26 1 11 105 398	TU-1670
PM 4/10		943.541.600	TU-4000	2002 Touring	71-75	26 1 11 105 398	TU-1670
PM 12 6 x 4		943.540.918	TU-5000	2500;A	68-77	26 1 11 105 398	TU-1670
PM 6/12 A		943.540.918	TU-5000	2800;A	68-77	26 1 11 105 398	TU-1670
TAK 70;75		943.541.500	TU-3500	3.0 S;3.0 SA	68-77	26 1 11 105 398	TU-1670
TBK 6		943.541.500	TU-3500	3.3 L;S	68-77	26 1 11 105 398	TU-1670
TAK 8;160;205 ABC		943.541.600	TU-4000				
TCK 8		943.541.600	TU-4000				
TLC8 RM 3		943.541.600	TU-4000	BENTLEY			
TLM 15 M3		943.541.600	TU-4000	Series T	65-		TU-2200
TRH 320		943.540.918	TU-5000	Corniche	71-		TU-2200
		943.541.600	TU-4000				
TF230		943.540.918	TU-5000				
TBH 260;280		943.540.918	TU-5000				
TBO 15 M3		943.540.918	TU-5000				
TLM 12		943.540.918	TU-5000				
TLR 12;250A;280		943.540.918	TU-5000	BUSSING			
T 25;30		943.540.918	TU-5000				
TR 12 E		943.540.918	TU-5000	B 09/11/12	-71		TU-7460
TR 10;12;200;250;260		943.540.918	TU-5000	BS 13	-71		
300;320				FSA	-71		TU-7460
TRH 350;350 TS		943.540.918	TU-5000	BS 14	-71		
TRH 320 TS		943.540.918	TU-5000	FSA			TU-7460
TR 280		943.540.918	TU-5000	BS 15	-71		
		34.00.015	TU-350	FSA			TU-7460
				L		67/4005	TU-7390

EUROPEAN VEHICLES AND AGRICULTURAL

MODEL	YEAR	ORIGINAL NO.	TOYO NO.	MODEL	YEAR	ORIGINAL NO.	TOYO NO.
BUSSING (continued)				FT 2200 DU-DT-DH		586 969	TU-8100
BS 13/14/15	69-71		TU-7460	FAS 2200 DU-DT-DH		302 155	TU-7460
			TU-8100			586 969	TU-8100
BS 16	-71			FAT 2200 DU-DT-DH		302 155	TU-7460
S;K;B		67/4005	TU-7390			586 969	TU-8100
SB 19	-71			FT 2300 DHU		302 155	TU-7460
S		67/4005	TU-7390	FT 2305 DHU		264 354	TU-7590
BS 20	71-			FA 2205 DU		586 969	TU-8100
S		67/4005	TU-7390			302 155	TU-7460
BS 22	-71			FT 2205 DU		586 969	TU-8100
S;K;L		67/4005	TU-7390			302 155	TU-7460
BS 26	71-			FAS 2205 DU		586 969	TU-8100
S;K		67/4005	TU-7390			302 155	TU-7460
BS 32	-70			FAT 2205 DU		586 969	TU-8100
K		67/4005	TU-7390			302 155	TU-7460
BS 120	-71			AE 2400 DK		586 969	TU-8100
V:N		67/4005	TU-7390	TE 2400 DP-DK		586 969	TU-8100
			TU-7460	AT 2400 DK (6×4)		311 267	TU-3810
BS 170	-71		TU-7460			586 969	TU-8100
				ATE 2400 DK-DP (6×4)		586 969	TU-8100
						586 992	
CITROEN				TE 2600 DP-DKA		311 267	TU-3810
2 CV		A 37.2.03	TU-730	AE 2600 DP-DKA		586 969	TU-8100
			TU-600	TT 2600 DP-DKA (6×4)		586 969	TU-8100
T 23;T 23R		110.310.120	TU-1100			311 267	TU-3810
Type H		380 868	TU-1200	FTT 2600 DKA (6×4)]		586 969	TU-8100
				FTT 2605 DKA (6×4)		178 185	TU-8100
				FT 2505 DK		586 969	TU-8100
DAF				FT 2605 DK		586 969	TU-8100
FA-FT 1200 DA		316 340	TU-3500	FA 2605 DAK		586 969	TU-8100
T 1300 DA		316 340	TU-3500	FT 2605 DAK		178 185	TU-8110
FA-FT 1400 DD		542 635	TU-7430	FAS 2605 DK (6×2)		178 185	TU-8110
T 1600 DF		616 340	TU-3500	FA 2805 DKA-DKT-DKTD		264 354	TU-7590
A 1600 DD		316 340	TU-3500	FT 2805 DKA-DKT-DKTD		264 354	TU-7590
FT 1600DF		542 635	TU-7430	FA 2805 DKS		505 698	TU-8130
FT 1600 DTD		542 635	TU-7430	FT 2805 DKS		505 698	TU-8130
FA 1600 DF		542 635	TU-7430				
FA 1600 DTD		542 635	TU-7430	DAIMLER-BENZ.			
FAV 1800 DT (4×4)		302 155	TU-7460	311	51-61		
		542 635	TU-7430	L;LF;LP;LS;LKO;LPS		385 410 02 31	TU-7300
T 1800 DS		302 155	TU-7460	LPF;LPM;LPKO;LPSKO			
A 1900 DS		302 155	TU-7460	LA;LAS;LAPS;LAK;		385 410 02 31	TU-7300
AT 1900 DS (6×4)		302 155	TU-7460	LAF;LAKO;LAP;LAPF		030 410 04 31	TU-7430
AZ 1900 DS (6×6)		586 992	TU-8100	LAPKO			
		586 969	TU-8100	312			
		302 155	TU-7460	L;LS;LK;LKO;LP		385 410 02 31	TU-7300
AT 1902 DS-DT (6×4)		311 267	TU-3810	LPS;LPK;LA;LAP;			
		302 155	TU-7460	LAS;LAK;LAPS		385 410 02 31	TU-7300
		586 969	TU-8100			030 410 04 31	TU-7430
FA 2200 DU-DT-DH		586 969	TU-8100				
		302 155	TU-7460				

EUROPEAN VEHICLES AND AGRICULTURAL

MODEL	YEAR	ORIGINAL NO.	TOYO NO.	MODEL	YEAR	ORIGINAL NO.	TOYO NO.
DAIMLER-BENZ. (continued)				LAS;LAK		030 410 04 31	TU-7430
1017				LAK		304 411 00 31	TU-7460
K;S;F;A;KO;AK;AS		385 410 02 31	TU-7300	1518/329		304 410 00 31	TU-7530
AF;LS				L;LS;LK;LP;LPS	59-60	304 411 00 31	TU-7460
1113				LAK	61-	030 410 04 31	TU-7430
L;LK;LS;LF;LKO;		385 410 02 31	TU-7300	1613			
LA;LAK;LAS;LAF				K		385 410 02 31	TU-7300
LAKO						385 410 05 31	
1213				L;KO		385 410 02 31	TU-7430
K;S;A;KO;AK;AS		385 410 02 31	TU-7300	1617			
1213/1313				L;KO		385 410 02 31	TU-7470
LP;LPK;LPS;LPKO		385 410 02 31	TU-7300			385 410 05 31	TU-7650
1216/1317/1319				AK		385 410 01 31	TU-7470
LP;LPK;LPS;LPKO		385 410 01 31	TU-7470			385 410 02 31	TU-7300
1217						385 410 05 31	
K;S;KO;AK;AS;L;LS		385 410 01 31	TU-7470	L		385 410 05 31	
1219				1617/1619			
K;S;F;A;AK;AF		385 410 01 31	TU-7470	LP		385 410 01 31	TU-7470
		385 410 05 31		1618	63-		
1313				L;LS;LK		304 410 00 31	TU-7530
I;LK;LS;LF;LKO		385 410 02 31	TU-7300	1619			
LA;LAK;LAS;LAKO				K;S;KO		385 410 01 31	TU-7470
1413		385 410 02 31	TU-7300			385 410 05 31	
K 1413		385 410 05 31		A;AK		385 410 01 31	TU-7470
KO 1413		385 410 02 31	TU-7300			385 410 05 31	
A;AK;AKO		385 410 01 31	TU-7470	L		385 410 05 31	
		385 410 02 31	TU-7300	LPKO		385 410 01 31	TU-7470
		385 410 05 31		1620			
1417				LPS	58-68	304 411 00 31	TU-7460
K;KO		385 410 05 31		LA;LAS;LAK	60-68	030 410 04 31	TU-7430
A;AKO		385 410 01 31	TU-7470	16920/334	60-68		
		385 410 02 31	TU-7300	L;LP;LS;LPS		304 411 00 31	TU-7460
		385 410 05 31		1621			
1418				L;LK;LS		335 410 00 31	TU-7560
L;LS;LK;LP;LPS		385 410 01 31	TU-7470	1624			
1418/338				LP;LPS;LPK;LAK		335 410 00 31	TU-7560
L;LS;LK;LP;LPS		385 410 01 31	TU-7470	LK;LS			
1419				LAS		335 410 00 31	TU-7560
K;S;F;L;LS		385 410 05 31				363 410 06 31	TU-7610
AK;AS		385 410 01 31	TU-7470	K;S;L;		363 410 06 31	TU-7610
		385 410 05 31		1626			
1424				LP;LPS;LPK;S;K		363 410 06 31	TU-7610
K;S;F;LS		363 410 06 31	TU-7610	LS;L			
1513				AS;AK		387 410 01 31	
L;LK;LS;LKO		385 410 01 31	TU-7470			385 410 05 31	
		385 410 02 31	TU-7300			363 410 06 31	TU-7610
LP;LPK;LPS;LPKO		385 410 01 31	TU-7470	1632			
		385 410 02 31	TU-7300	S;LS		363 410 06 31	TU-7610
LA;LAK;LAKO		385 410 01 31	TU-7470			387 410 00 31	TU-7630
1517/1519				K		387 410 00 31	TU-7630
L;LK;LS;LP;LPS;		385 410 01 31	TU-7470	AS;AK		387 410 01 31	
LPKO;LPK;						387 410 00 31	TU-7630
LA;LAK;LAS		304 410 00 31	TU-7530			385 410 05 31	
1518				L		363 410 06 31	TU-7610

EUROPEAN VEHICLES AND AGRICULTURAL

MODEL	YEAR	ORIGINAL NO.	TOYO NO.	MODEL	YEAR	ORIGINAL NO.	TOYO NO.
DAIMLER-BENZ. (continued)				2223/2224			
LP;LPS;LPK		335 410 00 31 363 410 06 31	TU-7560 TU-7610	LP 6×2 2224 K;B;S;6×2/6×4		335 410 00 31 385 410 05 31 363 410 06 31 304 410 00 31	TU-7560 TU-7610 TU-7530
1719		385 410 05 31		LP;LPS;LPB;LPK 6×4		304 410 00 31	TU-7530
S;K;AK				2226			
1813				L;LS;LP;6×2/6×4		363 410 06 31	TU-7610
(L 6×2) (6×4)		385 410 02 31	TU-7300	LP;LPB;LPK;LPS 6×4		304 410 00 31	TU-7530
1817/1819				2232			
L		304 410 00 31 385 410 01 31	TU-7530 TU-7470	L 6×2 LS;S;6×4		363 410 06 31 387 410 00 31 363 410 06 31 304 410 00 31 335 410 00 31	TU-7610 TU-7630 TU-7610 TU-7530 TU-7560
1819				LP;LPS;LPK 6×4			
L		304 410 00 31 385 410 01 31	TU-7530 TU-7470	LPL 6×2			
1919				2624			
S;K;AK		385 410 05 31		LA;LAK;LAS;LAB 6×6		304 410 00 31	TU-7530
1921				L;LK;LS;LB 6×4			
L;LK;LS		335 410 00 31	TU-7560	2626			
1924				S;K;B;6×4		363 410 06 31	TU-7610
LP;LPS;L;LK		335 410 00 31 335 410 00 31 363 410 06 31 304 410 00 31	TU-7560 TU-7560 TU-7610 TU-7530	AS;A;AK;AB; 6×6		304 410 00 31 385 410 05 31 363 410 06 31	TU-7610 TU-7610 TU-7610
LA;LAS							
LAK		335 410 00 35 304 410 00 31	TU-7560 TU-7530	2632			
LS		335 410 00 35 363 410 05 31	TU-7560 TU-7610	S;K 6×4		387 410 00 31 363 410 06 31 387 410 01 31 385 410 05 31	TU-7630 TU-7610 TU-7630 TU-7630
1926				AS;A;AK 6×6		385 410 05 31 387 410 00 31 363 410 06 31 385 410 02 31 385 410 01 31 385 410 05 31 385 410 01 31 385 410 05 31	TU-7630 TU-7610 TU-7300 TU-7470
LP;LPS;S;K;LS		363 410 06 31 387 410 01 31 385 410 05 31 363 410 06 31	TU-7610 TU-7610	O 302		385 410 02 31 385 410 01 31 385 410 05 31 385 410 01 31 385 410 05 31	TU-7610 TU-7610 TU-7300 TU-7470
AS;A;AK				O 302			
1932				O 305		385 410 01 31 385 410 05 31	TU-7470
LP;LPS		363 410 06 31 335 410 00 31	TU-7610 TU-7560	O 309		385 410 02 31 319 410 02 31	TU-7300 TU-7280/1
S		363 410 06 31 387 410 00 31	TU-7610 TU-7630	O 309 D		385 410 02 31 304 410 00 31 385 410 01 31	TU-7300 TU-7530 TU-747
K;LS		387 410 00 31 387 410 01 31 385 410 05 31 363 410 06 31	TU-7630 TU-7630 TU-7610	O317		030 410 04 31 030 410 04 31	TU-7430 TU-7430 TU-7410
AS;A;AK				OP 311	51-68		
2024				O 312	51-68		
LPS 6×2		335 410 00 31	TU-7560	O319	59-68		
2026				O319D			
S 6×2/4		363 410 06 31	TU-7610	O320	52-61		TU-7390 TU-7410
2032							
LPS 6×2		335 410 00 31 363 410 06 31 363 410 06 31	TU-7560 TU-7610 TU-7610	O322H	60-68	385 410 02 31 385 410 02 31 385 410 01 31 385 410 02 31 385 410 01 31 385 410 01 31 385 410 01 31	TU-7300 TU-7300 TU-7470 TU-7300 TU-7470 TU-7470 TU-7470
S 6×2/4				OF 1113		385 410 01 31	TU-7470
2219				OF 1317			
L 6×2;K 6×4		385 410 05 31		OF 1413			
KO 6×4				OF 1417			
LP 6×2		385 410 01 31	TU-7470	OF 1617			
LP 6×4;LPK 6×4		304 410 00 31 385 410 01 31	TU-7530 TU-7470	180	53-56 56-57 57-62	120 410 01 31 180 410 01 31 100 410 01 31	TU-7800 TU-7900 TU-7280

EUROPEAN VEHICLES AND AGRICULTURAL

MODEL	YEAR	ORIGINAL NO.	TOYO NO.	MODEL	YEAR	ORIGINAL NO.	TOYO NO.
DAIMLER-BENZ. (continued)				280 SE Type 109.018 Type 116.024			TU-7280/4
190	55-57	180 410 01 31	TU-7900	280 SEL Type 108.019			TU-7280/4
	57-65	100 410 01 31	TU-7280	Type 116.025			TU-7280/4
190 C Type 110		111 410 00 31	TU-7280/3	280 SE 3.5 Type 108.057			TU-7280/4
190 DC Type 110		111 410 00 31	TU-7280/3	280 SEL 3.5 Type 108.058			TU-7280/4
200 Type 110		111 410 00 31	TU-7280/3	280 SE/C Type 111			TU-7280/4
Type 115			TU-7280/4	280 SE/C 3.5 Type 111			TU-7280/4
Type 123			TU-7580/4	280 E Type 114.062			TU-7280/4
200D Type 110		111 410 00 31	TU-7280/3	Type 123.033			TU-7280/4
Type 115			TU-7280/4	300			
Type 123			TU-7280/4	300 D Type 123			TU-7280/4
219	55-57	180 410 01 31	TU-7900	300 SEB Type 108.015		111 410 00 31	TU-7280/3
	57-65	100 410 01 31	TU-7280	300 SEL Type 109.015		111 410 00 31	TU-7280/3
220	55-57	180 410 01 31	TU-7900	Type 109.016			TU-7280/4
	57-65	100 410 01 31	TU-7280	300 SEL 6.3 Type 109.018			TU-7280/4
Type 115			TU-7280/4	300 SEL 3.5 Type 109.056			TU-7280/4
220 D Type 115.000			TU-7280/4	350			
Type 115.000			TU-7280/4	350 SLC Type 107.023			TU-7280/4
Type 123			TU-7280/4	350 SL Type 107.043			TU-7280/4
230 Type 110	65-68	111 410 00 31	TU-7280/3	350 SE Type 116.028			TU-7280/4
Type 115			TU-7280/4	350 SEL Type 116.029			TU-7280/4
Type 114			TU-7280/4	450			
Type 123			TU-7280/4	450 SLC Type 107.024			TU-7280/4
230 S Type 111		111 410 00 31	TU-7280/3	450 SL Type 107.044			TU-7280/4
230C Type 123			TU-7280/4	450 SE Type 116.032			TU-7280/4
230.4 Type 115			TU-7280/4	450 SEL Type 116.033			TU-7280/4
230.6 Type 114			TU-7280/4	450 SEL 6.9 Type 116.036			TU-7280/4
240				600 Type 100		100 410 01 31	TU-7280
240 D Type 115			TU-7280/4	DAIMLER (GB)			
Type 123			TU-7280/4	250 VB 2.5	67-69		TU-1000
240 D Type 115			TU-7280/4	E-Type 4.2	66-69		TU-1000
250							TU-2000
250 Type 114.010			TU-7280/4	E-Type 2.8	68-73		TU-1000
Type 113.011			TU-7280/4	E-Type 4.2	67-73		TU-1000
Type 123			TU-7280/4	E-Type 4.2 LWB	72-73		TU-1000
250 SE/C Type 111		111 410 00 31	TU-7280/3	E-Type 4.2 SWB	73-		TU-1000
250 SL Type 113		111 410 00 31	TU-7280/3	E-Type 4.2 LWB	73-		TU-1000
250 C Type 114.021			TU-7280/4	Majestic Major 4.5	60-68		TU-2200
Type 114.023			TU-7280/4	Saloon 4.5	62-68		TU-2200
250 CE Type 114.022			TU-7280/4	Saloon 4.2	69-72		TU-2200
250 S Type 108.012		111 410 00 31	TU-7280/3	Double Six 5.3	72-73		TU-1000
250 SE Type 108.014		111 410 00 31	TU-7280/3	Double Six 5.3 LWB	72-73		TU-1000
280				Double Six V12 LWB	73-		TU-1000
280 Type 114.060			TU-7280/4	DODGE (GB)			
Type 123.030			TU-7280/4	6			
280 SLC Type 107.022			TU-7280/4	LA;KL			TU-2000
280 SL Type 107.042			TU-7280/4	9			
Type 113.044			TU-7280/4	K			TU-3500
280 CE Type 114.072			TU-7280/4				
Type 123.053			TU-7280/4				
280 C Type 114.073			TU-7280/4				
Type 123.050			TU-7280/4				
280 S Type 108.016			TU-7280/4				
Type 116.020			TU-7280/4				

EUROPEAN VEHICLES AND AGRICULTURAL

MODEL	YEAR	ORIGINAL NO.	TOYO NO.	MODEL	YEAR	ORIGINAL NO.	TOYO NO.
FIAT (continued)							
105 E de Luxe	62-68		TU-400	300 D;240 D 13 RA			TU-2000
Super 123 E	62-68		TU-400	240 D 14 RA			TU-2000
Escort				D 500			
MK I 1100	10.67-		TU-400	240 P;240 P 14 RA			TU-2000
MK I 1100	7.69-		TU-400	330 D;240 P 13 RA			TU-2000
MK I 1300;GT	10.67-7.69		TU-400	240 D 13 RA			TU-2000
MK I 1300;GT	7.69-		TU-1770	300 P;300 D			TU-3500
MK II 1100	12.74-		TU-1770	Turbo 156";182"			TU-3500
MK II 1300	12.74		TU-1770	D 600			
MK II 1600	12.74		TU-1770	330 D 14 RA/C 5			TU-3500
Corsair	63-65		TU-400	330 P;330 D			TU-3500
V4	65-70		TU-400	300 P 14 RA			TU-3500
GT	63-65		TU-400	300 P 15/16 RA			TU-3500
GT-V4	65-70		TU-400	330 D 14 RA			TU-3500
2000-V4	67-70		TU-400	330 D 15/16 RA			TU-3500
Capri				D 700			
MK I 1300	11.68-74		TU-1770	300 P; 360D			TU-3500
MK I 1300 GT	11.68-74		TU-1770	300 P 14 RA;300 P 15 RA			TU-3500
MK I 1600	11.68-74		TU-1770	300 P 16 RA;300 D 14 RA			TU-3500
MK I 1600 GT	10.70-74		TU-1770	300 D 15 RA; 330D			TU-3500
MK I 2000	2.69-74		TU-1770	14RA/C5			
MK I 2000 GT	10.70-74		TU-1770	300 D 15 RA/C5			TU-3500
MK I 3000	8.69-74		TU-1770	330 D 16 RA			TU-3500
MK II 1300	1.74-		TU-1770	330 D 14 RA/W4			TU-3500
MK II 1600;GT	1.74		TU-1770	330 D 15 RA/W4			TU-3500
MK II 2000;Ghia	1.74-		TU-1770	330 P 16 RA;360 D			TU-3500
MK II 3000;Ghia	1.74		TU-1770	15 RA			
Cortina				360 D 16 RA; 360 D			TU-3500
MK I 1200	62-66		TU-400	16 RA			
MK I 1500;GT	63-67		TU-400	D 750			
MK II 1300	66-69		TU-400	Turbo;300 P 14 RA			TU-3500
MK II 1300	69-70		TU-1770	300P 15 RA;300 P			TU-3500
MK II 1500	66-67		TU-400	16 RA			
MK II 1600;GT;E	67-69		TU-400	330 D 15 RA;300 P			TU-3500
MK II 1600;GT;E	69-70		TU-1770	14 RA			
MK III 1300	7.70-		TU-1770	330 D 16 RA;330 D			TU-3500
MK III 1600	8.70-		TU-1770	14 RA/W4			
MK III 2000;GT	8.70-		TU-1770	330 D 14 RA/C 5			TU-3500
Zephy				330 D 15 RA/C 5			TU-3500
4 MK III	62-66		TU-400	330 D 15 RA/W4			TU-3500
4 MK IV	4.66-69		TU-400	360 D;360 D 16 RA			TU-3500
4 MK IV	69-		TU-1770	360 D 15 RA			TU-3500
6 MK III	4.62-3.66		TU-400	D 750/800			
6 MK IV	69-		TU-1770	300 P 15 RA			TU-3500
Zodiak				300 P 16 RA			TU-3500
6 MK IV	69-		TU-1770	360 D;360 D 16 RA			TU-3500
D 200				D 800			
240 P;240 D			TU-2000	300 P;360 D			TU-3500
D 300				300 P 16 RA			TU-3500
240 P;240 D;330D			TU-2000	360 D 16 RA.			TU-3500
D400				Turbo 108";120"			TU-4000
240 P;240 P 14 RA			TU-2000	;134"			
240 D;240 P 13 RA			TU-2000	Turbo 156";206"			TU-4000
				D 1000			TU-4000

EUROPEAN VEHICLES AND AGRICULTURAL

MODEL	YEAR	ORIGINAL NO.	TOYO NO.	MODEL	YEAR	ORIGINAL NO.	TOYO NO.
FORD (BRD)							
Taurus				LS;LK			TU-8100
12 M 1.2 Liter	52-59	11-542 149	TU-1700	H 122			TU-8100
	59-62	11-526 741	TU-1710	AK			TU-7440
	62-66	11-407 058	TU-1730	F 130	71-74		
12 M/P 6 1.3 Liter	66-68	11-407 058	TU-1730	S;K;L;AK			TU-7300
12 M 1.5 Liter	59-62	11-526 741	TU-1710	AK			TU-7470
12 M/P 4 1.5 Liter	62-66	11-407 058	TU-1730	F 131	69-70		
15 M	54-58	11-526 741	TU-1710	S;K;L;AK			TU-7460
15 M/P 6	66-68	11-407 058	TU-1730	F140	-71		
17 M 1.5 Liter	60-71	11-555 926	TU-1720	K;K16;KR 16;S16			TU-7460
17 M 1.7 Liter	57-60	11-526 741	TU-1710	SR 16			TU-7460
17 M 1.7 Liter	60-71	11-555 926	TU-1720	L;L16;LR 16;AK			TU-7440
20 M	64-71	11-555 926	TU-1720	T			
1300	70-	11-554 456	TU-1760	H 140			TU-8100
1600	70-	11-554 456	TU-1760	AK 16			TU-7460
2000	70-	11-554 456	TU-1760	AKCH 16			
2300	71-	11-554 456	TU-1760	F 141	-71		
Escort				S;K;L			TU-7460
1000	70-72	11-554 456	TU-1760	L			TU-8100
1100	70-	11-554 456	TU-1760	F 150			
1300	70-	11-554 456	TU-1760	S;K;L;BM			TU-7440
2000	73-	11-554 456	TU-1760				TU-7460
Capri				IIS;IIK;IIL	71-74		TU-7470
1300	69-	11-554 456	TU-1760	F 151	-71		
1500	68-72	11-554 456	TU-1760	S;L;K;KR;LR AK			TU-8100
1600	70-	11-554 456	TU-1760	H 151	-71		
1700 GT	69-72	11-554 456	TU-1760	AK			TU-7460
2000	69	11-554 456	TU-1760	F 161	71-74		TU-7440
2600 GT	70-73	11-554 456	TU-1760	K;SA;S;SL;L;LL			TU-8100
2800 GT	73-	11-554 456	TU-1760	AK;AS			TU-7460
3000	72-	11-554 456	TU-1760	H161	-74		
Consul				AK			TU-8100
1700	72-75	11-554 456	TU-1760	F 163	71-74		
2000	72-75	11-554 456	TU-1760	K;S;SL			TU-7390
3000	72-75	11-554 456	TU-1760	F 170	69-72		
Granada				K;L;AK;AKCH;			TU-7460
1700	75-	11-554 456	TU-1760	AK;AKCH			TU-8100
2000	74-	11-554 456	TU-1760	F 190	-71		
2300	72-	11-554 456	TU-1760	K;L			TU-7460
2600	72-	11-554 456	TU-1760	K			TU-8100
3000	72-	11-554 456	TU-1760	F 191	71-74		
Transit				AK;AS;S;K;SR;L;LR			TU-8100
FK 1000 1.2 Liter	53-59	11-542 149	TU-1700	L 24			TU-8100
	60-	11-526 741	TU-1710	L;AKCH			TU-7460
FK 1000 1.5 Liter	53-59	11-542 149	TU-1700	F 193	-74		
	59-65	11-526 741	TU-1710	S,L			TU-7390
FK 1250 1.5 Liter	58-59	11-542 149	TU-1700	F 201			
	59-65	11-526 741	TU-1710	S,S 2,S 2A			TU-8100
				S 2 A			TU-7460
				F 203	71-		
				S 2			TU-7390
				F 220			
				BM			TU-8100
				BM;MN;TN			TU-7460
HANOMAG-HENSCHEL							
F 122	-70						

EUROPEAN VEHICLES AND AGRICULTURAL

MODEL	YEAR	ORIGINAL NO.	TOYO NO.	MODEL	YEAR	ORIGINAL NO.	TOYO NO.
HANOM-HENSCHEL (continued)							
F221	71-74			MK II 2×4	61-67	10 065	TU-1000
S,S 2A,S 2 AL,K,S,BM			TU-8100			10 420	TU-2000
			TU-7460	MK II 3×4	61-67	10 065	TU-1000
			TU-8100			10 420	TU-2000
LEL,LE,L,LR,LN,LNL			TU-7460	MK II 3×8	61-67	10 065	TU-1000
SR,MN,TN,LEL,L,LR						10 420	TU-2000
F 223	71-74			240	67-69	10 065	TU-1000
LN,LNL			TU-7390			10 420	TU-2000
F 261				340	67-69	10 065	TU-1000
K,BM,AK			TU-8100			10 420	TU-2000
			TU-7460	3×4 S	63-68	10 065	TU-1000
F 420						10 420	TU-2000
S,T			TU-7390	3×8 S	63-68	10 065	TU-1000
			TU-8100			10 420	TU-2000
				420	66-68	10 065	TU-1000
						10 420	TU-2000
HILLMAN				MK X 3×8	61-65	10 065	TU-1000
						10 420	TU-2000
Minx I, II, III, III A,	59-63		TU-400	MK X 4×2	64-66	10 065	TU-1000
III B, III C						10 420	TU-2000
Minx V, VI	63-67		TU-400	420G	66-68	10 065	TU-1000
Super Minx MK I, II	63-67		TU-400	XJ 6 2×8	68-73	10 065	TU-1000
Super Minx MK III, IV	63-67		TU-400	XJ 6 4×2	68-73	10 065	TU-1000
Avenger	69-77		TU-400	XJ 6 4×2 LWB	72-73	10 065	TU-1000
Minx/Hunter I, II	68-70		TU-400	XJ 12 5×3	72-73	10 065	TU-1000
Hunter DL, GL, GT, GLS	71-77		TU-400	XJ 12 5×3 LWB	72-73	10 065	TU-1000
				XJ 4×2 SWB	73-	10 065	TU-1000
				XJ 6 4×2 LWB	73-	10 065	TU-1000
				XJ 12 5×3 SWB	73-	10 065	TU-1000
				XJ 12 5×3 LWB	73-	10 065	TU-1000
HUMBER							
Sceptre MK II	65-67		TU-400				
New Scepter	67-76		TU-400				
INNOCENTI							
A 40; A 40 S		316 04 103	TU-500	interceptor II - III	69-		TU-2200
A 40 S Combinata		316 04 103	TU-500	Convertible	74-		TU-2200
C Coupe		316 04 103	TU-500	Healy	72-		TU-500
ISO RIVOLTA							
Fidia			TU-1000				TU-7460
Fidia Automatica			TU-1000				TU-7460
IR 300 Coupe'			TU-2200				TU-7460
ISO Grifo GL 7 Ltr.			TU-1000				TU-7460
			TU-2000				TU-7460
			TU-1000				
ISO Grifo Lusso GL 300							
JAGUAR							
				Kaelble			
				KDV 24 E8			TU-7390
				SL 12			TU-8100
							TU-7440
				SL 18 B			TU-7390

EUROPEAN VEHICLES AND AGRICULTURAL

MODEL	YEAR	ORIGINAL NO.	TOYO NO.	MODEL	YEAR	ORIGINAL NO.	TOYO NO.
MAGIRUS(KHD) (continued)							
M 170				D 26 AK 6×6		127 5160	TU-7460
D 11 FL		127 5160	TU-7460			296 1759	TU-8100
D 13 FL		127 5160	TU-7460	D 19 AS 4×4		296 1759	TU-8100
D 15 FL		127 5160	TU-7460	D 19 AK		296 1759	TU-8100
D 17F		127 5160	TU-7460	D 22 AK 6×6		296 1759	TU-8100
186						127 5160	TU-7460
D 15 FS;FK		127 5160	TU-7460			296 1759	TU-8100
		296 1759	TU-8100	232			
M 186				D 22 FK		296 1759	TU-8100
D 15 FL		296 0564	TU-8110	D 15FS		127 5160	TU-7460
195				D 16 K		296 1759	TU-8100
D 22 AK 6×6		127 5160	TU-7460	D 15 FAK		296 1759	TU-8100
200				D 16 FAK		296 1759	TU-8100
D 16 FS;FK;AK		127 5160	TU-7460	D 16 AK		127 5160	TU-7460
D 16 FL;K;L		127 5160	TU-7460			296 1759	TU-8100
D 19 FSE;FLE		127 5160	TU-7460	D 22 FAK 6×6		296 1759	TU-8100
D 20 FS 6×4		127 5160	TU-7460	D 22 AK		127 5160	TU-7460
D 20 FL 6×4		127 5160	TU-7460	D 22 AK 6×6		296 1759	TU-8100
D 22 L 6×4		127 5160	TU-7460			296 0564	TU-8110
D 22 BTM 6×4		127 5160	TU-7460			127 5160	TU-7460
D 22 L;K;6×4		127 5160	TU-7460	D 26 AK		127 5160	TU-7460
D 22 L;K;B		127 5160	TU-7460			296 1759	TU-8100
D 22 B 6×4		127 5160	TU-7460	M 232			
D 26 K 6×4		127 5160	TU-7460	D 22 FB 6×4		127 5160	TU-7460
D 26 L 6×4		296 1759	TU-8100	D 15 FL		127 5160	TU-7460
		127 5160	TU-7460				
D 26 AK		296 1759	TU-8100	235			
		127 5160	TU-7460	D 22 FL 6×4		296 1759	TU-8100
		127 5160	TU-7460			127 5160	TU-7460
D 26 AK 6×6						296 1759	TU-8100
M 200				250			
D 16 FS		127 5160	TU-7460	D 22 FS 6×4		296 0564	TU-8110
D 16 Z		296 1759	TU-8100	290			
210				D 22 FK		296 0564	TU-8110
D 22 L 6×4		296 1759	TU-8100			296 1759	TU-8100
D 22 B;K 6×4		127 5160	TU-7460	D 22 FS		296 0564	TU-8110
D 16 FS		296 1759	TU-8100	310			
D 16 FS;FK		296 1759	TU-8100	D 15 FS		296 1759	TU-8100
D 16 S		127 5160	TU-7460	D 22 AK		127 5160	TU-7460
D 22 K 6×4		296 1759	TU-8100			298 0217	TU-8130
230						296 1759	TU-8100
D 22 L;B 6×4		127 5160	TU-7460	D 16 K		298 0217	TU-8130
D 22 K 6×4		127 5160	TU-7460	D 22 FS 6×4		298 0217	TU-8130
D 26 K 6×4		296 0564	TU-8110			296 1759	TU-8100
		127 5160	TU-7460	M 310			
D 16 FK		296 1759	TU-8100	D 16 FL		296 0564	TU-8110
D 16 S		127 5160	TU-7460				
		296 1759	TU-8100	MAN			
D 19 FL		127 5160	TU-7460	520		81.39200 6005	TU-7440
		296 1759	TU-8100	5126			
D 16 FS		127 5160	TU-7460	FK		81.39200 6005	TU-7440
D 22 FS 6×4		296 0564	TU-8110	5216/6126/7126		81.39200 6005	TU-7440
				6126			
				FK		81.39200 6005	TU-7440

EUROPEAN VEHICLES AND AGRICULTURAL

MODEL	YEAR	ORIGINAL NO.	TOYO NO.	MODEL	YEAR	ORIGINAL NO.	TOYO NO.
MAGIRUS(KHD) (continued)							
7126				16200			
FK;H;HK		81.3920 6005	TU-7440	F;FK		81.39200 6016	TU-7590
8126				16215			
FK;FS;F		81.39200 6005	TU-7440	DF		81.39200 6007	TU-8110
R 8135 F		81.39200 6005	TU-7440	FNS 6×2, FN		81.39100 6007	TU-7460
8156				16230		81.39200 6007	TU-8110
F;FS;FK;FL;HK;HS;H		81.39100 6007	TU-7460	FNS 6×2		81.39200 6007	TU-8110
8160				16256			
FS;FK;F;HS;HK;H		81.39100 6007	TU-7460	U;H		81.39200 6016	TU-7590
9156				FL		81.39200 6013	
FS;FK;F FL;HK		81.39100 6007	TU-7460			81.39200 6016	TU-7590
9160				16256/19256			
FS;F;FL		81.39100 6007	TU-7460	F;FS;FK;FLS;FL		81.39200 6016	TU-7590
9186				16275			
FS;FK;F;FL;HS;HK;H		81.39100 6007	TU-7460	FN,FNS 6×2		81.39200 6007	TU-8110
10126				16280			
F;FK		81.39200 6005	TU-7440	F		81.39200 6015	TU-8130
12186				16230/19320			
FS;FK;F;HS;HK;H		81.39100 6007	TU-7460	F;FL;FLS;FK		81.39200 6015	TU-8130
12215				U;UK;UL;H;HS;HK			
F;FL;HS;HK;H		81.39100 6007	TU-7460	19200			
13168/13192				F;H		81.39200 6016	TU-7590
F;FL;FS;FK;H;HS		81.39100 6007	TU-7460	19215			
HK;HA				DFS;DFK		81.39200 6015	TU-8130
13192 U				DF;DFE;DH		81.39200 6007	TU-8110
13215				19230			
FS;FK;F		81.39200 6007	TU-8110	DFS;DFK;DF;DFE;DF		81.39200 6007	TU-8110
13230				6×2			
F;FK;F		81.39200 6007	TU-8110	19232			
13250				F;H			
F;FS;FK		81.39200 6007	TU-8110	19240		81.39200 6016	TU-7590
13256				F;HK;HS;FK;FS		81.39200 6016	TU-7590
FS;FK;F		81.39200 6007	TU-8110	19280			
13275				F		81.39200 6015	TU-8130
FS;F		81.39200 6007	TU-8110	19304			
13304/16304				DFS;DFK;DF;DFE		81.39200 6007	TU-8110
FS;FS;FK;F		81.39100 6007	TU-8110	DFK		81.39200 6015	TU-8130
		81.39200 6013		22200			
13304 FN 6×2		81.39200 6007	TU-8110	FNL-M1		81.39200 6016	TU-7590
		81.39200 6013		22240			
15168				FNL		81.39200 6016	TU-7590
F;FL;FK;FS;H;HK		81.39100 6007	TU-7460	FNL		81.39200 6015	TU-8130
15200/15240						81.39200 6016	TU-7590
F;FL;FS;FK;FLS;H		81.39200 6016	TU-7590	22250			
HK;HS				DFS;DFK;DF;DFE		81.39100 6007	TU-7460
16128/16192						81.39200 6007	TU-8110
FM;FKO		81.39100 6007	TU-7460	DF		81.39200 6007	TU-8110
16168				22320			
F;FK		81.39100 6007	TU-7460	FNL;UNL		81.39200 6015	TU-8130
16200/16240				26240/30240			
F;FK		81.39200 6016	TU-7590	DF;DFS;DFK;DFTM		81.39200 6016	TU-7590
		81.39200 6005	TU-7440	DH;DHK;DHS			
		81.39200 6016	TU-7590				

EUROPEAN VEHICLES AND AGRICULTURAL

MODEL	YEAR	ORIGINAL NO.	TOYO NO.	MODEL	YEAR	ORIGINAL NO.	TOYO NO.
MAN (continued)							
26320				HK;HKA		81.39100 6007	TU-7460
DEL;DFLS		81.39200 6015	TU-8130	1168/11192			
		81.39200 6016	TU-7590	HA;LF		81.39200 6005	TU-7440
26320/30320				12186/12215			
DF;DFS;DFK		81.39200 6015	TU-8130	HSA;HAK;HA		81.39100 6007	TU-7460
		81.39200 6016	TU-7590	890 UG			TU-8100
26320				750 HO		81.39100 6007	TU-7460
DF		81.39200 6015	TU-8130			81.39200 6005	TU-7440
7135				790 HO		81.39100 6007	TU-7460
HK;HS;H		81.39200 6005	TU-7440	445 HO		81.39200 6005	TU-7440
9126				535 HO		81.39200 6005	TU-7440
H;HA		81.39200 6005	TU-7440	590 HO			TU-8100
9156				890 U			TU-8100
HS;HK;HTM;H		81.39200 6005	TU-7440			81.39100 6007	TU-7460
		81.39100 6007	TU-7460	192 SG		81.39100 6007	TU-7460
12186/10212						81.39200 6016	TU-7590
HS		81.39100 6007	TU-7460				TU-8100
10126				200 SD		81.39200 6016	TU-7590
H;HK		81.39200 6005	TU-7440	200SL		81.39100 6007	TU-7460
		81.39100 6007	TU-7460			81.39200 6016	TU-7590
11136				240 SUE;SR		81.39200 6016	TU-7590
U;H;HS;HK;HR;HA;HAK		81.39200 6005	TU-7440				
12186				MASERATI			
H		81.39100 6007	TU-7460	Ghibli 4.7			TU-1100
13168							TU-2200
H;DL		81.39200 6005	TU-7440	Mexico 4.2 and 4.7			TU-1100
13168/13192							TU-2200
H;HS;HK		81.39200 6005	TU-7440	3500 GTI;GTIS			TU-1100
13215/13212							TU-2200
HS;HK;H		81.39200 6007	TU-8110	3700 GTI;GTIS			TU-1100
13230/13212		81.39200 6007	TU-8110				TU-2200
HS;HK;H				4000 GTI;GTIS			TU-1100
13230							TU-2200
HS;HK;H		81.39200 6007	TU-8110	4200			TU-1100
15168/15192							TU-2200
H;HK		81.39100 6007	TU-7460				
19186				MATRA			
DH;DHS		81.39200 6007	TU-8110	Jet 5		101 3007	TU-1100
22215				Jet 6		101 3007	TU-1100
DH;FHS;DHK		81.39200 6007	TU-8110	M 530 Coupe' Spider		101 3007	TU-1100
22230							
DHK		81.39200 6007	TU-8110				
6115/400/415				M.G.			
HA;HKA;LFA		81.39200 6005	TU-7440	Midget Sports MK II	64-66	070 88 979	TU-400
7126/520		81.39200 6005	TU-7440	Midget	66-	070 88 979	TU-400
7126/450/520		81.39200 6005	TU-7440	Midget 1500	74-	070 88 979	TU-400
7135/635				M.G.B.	62-67	070 88 979	TU-400
HKA		81.39200 6005	TU-7440	M.G.B.GT	65-67	070 88 979	TU-400
8156/650				M.G.B. HD 4 all Model	67-	070 88 979	TU-400
HKA;HSA		81.39200 6005	TU-7440				
8156							
HA		81.39200 6005	TU-7440				
9156/9186							

EUROPEAN VEHICLES AND AGRICULTURAL

MODEL	YEAR	ORIGINAL NO.	TOYO NO.	MODEL	YEAR	ORIGINAL NO.	TOYO NO.
MORGAN				SZ Coupe'		16 04 076	TU-7010
4/4 Series III	63-67		TU-400	Kadett B		16 04 076	TU-7010
4/4 1600	68-		TU-500	Ascona A			TU-7050
				Ascona B			TU-7060
				Ascona B			TU-7050
				Manta A			TU-7060
				Manta A			TU-7050
				Manta B			TU-7060
				Manta B			TU-7050
MORRIS				Rekord	59-66	16 04 074	TU-7100
Minor 1000	52-71		TU-400	Rekord C	67-72	16 04 073	TU-7150
Oxford Series V	59-61		TU-400	Rekord D	72-		TU-7050
Oxford Series VI	61-69		TU-400	Commodore A		16 04 078	TU-7060
Oxford Diesel	62-69		TU-400	GS		16 04 078	TU-7020
Marina	71-		TU-500	Commodore B			TU-7020
TM 25			TU-400	Kapitan 2800	65-70	16 04 078	TU-7020
				Admiral 2800	65-	16 04 078	TU-7020
				Diplomat 2800	69-	16 04 078	TU-7020
				Diplomat 5300	55-	16 04 079	
MOSK VITCH							
412		412-220 1025		PORTARO			TU-2560
427		412-220 1025					
NSU				RELIANT			
Prinz	57-65	401 500 508	TU-750	FWS			
Prinz 4	65-	401 500 508	TU-750	A	71-		TU-500
Sportprinz	59-67	401 500 508	TU-750	Anadol	69-		TU-500
				Rebel	69-		TU-500
				Regel MK V III	69-		TU-500
O.M.				SE 4 BU.C	71-		TU-1100
Leonano 2 AS		878 942	TU-2010	SE 5			
Monotral		878 942	TU-2010	GTE	71-		TU-1100
Super Orione		878 942	TU-2010	GTE Manual	70-		TU-1100
Super Orione Monotral		876 044/45	TU-5010	TW 7A Pick-up 7	71-		TU-500
Super Orione 2 AS		876 044/45	TU-5010	TW 9 B Pick-up 16	71-		TU-500
		878 942	TU-2010	TW 9 E Pick-up 16	71-		TU-500
Trigrotto							
P 3000;P 3600		878 942	TU-2010	RENAULT			
Viberti CV 18-20		878 942	TU-2010	R 4	69-		TU-1100
		876 044/45	TU-5010	R 6	68-		TU-1100
Cerbiatto Daino		878 942	TU-2010	R 12	69-		TU-1100
Leoncina		878 942	TU-2010	R 16	69-		TU-1100
Lupetta ID AS		878 942	TU-2010				
Super Taurus 2 AS		875 880/81	TU-4010	ROVER			
Tigro		878 942	TU-2010	2000 SC MK I + II	63-73	541 858	TU-1000
		876 044/45	TU-5010				
Titano 1 AS		878 044/45	TU-5010				
OPEL							
Olympia A 1.1 Liter							
LV		16 04 076	TU-7010				
LZ		16 04 076	TU-7010				

EUROPEAN VEHICLES AND AGRICULTURAL

MODEL	YEAR	ORIGINAL NO.	TOYO NO.	MODEL	YEAR	ORIGINAL NO.	TOYO NO.
TRIUMPH (continued)				VAUXHALL			
2000 MK I + II Automat	63-72		TU-400	Viva-HA	63-66		TU-400
	72-		TU-500	Viva-HA "90"	65-66		TU-400
2 x 5 PI MK I + II	68-72		TU-400	Viva-HB	66-70		TU-400
	72-	128 133	TU-500	Viva-HB Automat	67-70		TU-400
2500 TC	74	128 133	TU-500	Viva-HB "90"	66-70		TU-400
				Viva-HB 1600	68-70		TU-400
				Victor FC "101"	64-67		TU-400
				VX-4/90-FC "101"	64-67		TU-400
				Victor-FD 1600	67-72		TU-400
				Victor-FD 2000	68-72		TU-400
				Victor-FD 2000+VX4/90	67-72		TU-400
				Victor-FD Ventora+3 x 3	68-72		TU-400
				Velox-CResta PC	65-68		TU-400
					68-71		TU-400
				Velox Cresta PC	65-72		TU-400
				Viscount			
UNIC				VOLVO			
P 8 R		105.823	TU-3500	142			
P 8 RA		105.823	TU-3500	B 20 A;B;F	69-74	672 037	TU-400
P 8 RAMC		105.823	TU-3500		69-73	672 037	TU-400
P 9		105.823	TU-3500		74-	383 472	TU-1100
P 9 A		105.823	TU-3500	B 20 E	69-74	231 311	TU-1000
P 9 AMC		105.823	TU-3500	144			
P 10;11;12		105.822	TU-4000	B 20 A;B;F	69-74	672 037	TU-400
P 11 A 160		105.822	TU-4000		69-73	672 037	TU-400
P 11 A 200		105.822	TU-4000		74-	383 472	TU-1100
P 12 A 200		105.822	TU-4000	B 20 E	69-74	231 311	TU-1000
P 13 A 200		105.822	TU-4000	145			
P 160 A		105.822	TU-4000	B 20 A;B;F	69-74	672 037	TU-400
P 160 A 2		105.822	TU-4000		69-73	672 037	TU-400
P 170 A		105.822	TU-4000		74-	383 472	TU-1100
P 200		105.822	TU-4000	B 20 E	69-74	231 311	TU-1000
P 220		106.010	TU-5000	164			
P 270		106.010	TU-5000	B 27;B 30 A;E;F		231 311	TU-1000
P 270 A		106.010	TU-5000	242	75-		
P 270 A2		106.010	TU-5000	B 20A;F;B 21A		672 037	TU-400
P 340		106.010	TU-5000			383 472	TU-1100
P 340 A		106.010	TU-5000	244	75-		
T 8 RAMC		105.823	TU-3500	B 20 A;F;B 21 A		672 037	TU-400
T 9		105.823	TU-3500			383 472	TU-1100
T 9 RA		105.823	TU-3500	B 20 E	75-		
T 9 AMC		105.823	TU-3500	245			
T 10		105.822	TU-4000	B 20 A;F;B 21A	69-	672 037	TU-400
T 11		106.010	TU-5000			383 472	TU-1100
T 200 A 21		105.822	TU-4000	264			
T 220		105.822	TU-4000	B 27;B30 A;E;F		231 311	TU-1000
T 270		106.010	TU-5000	265			
T 270 A		106.010	TU-5000	B 27;B 30 A;E;F		231 311	TU-1000
T 270 RA		106.010	TU-5000	F 82		384 64	TU-2000
T 270 A 2		106.010	TU-5000	F 83		384 64	TU-2000
T 340		106.010	TU-5000				
T 340 A		106.010	TU-5000				
PB 4-220		106.010	TU-5000				
PCH 270		106.010	TU-5000				
2764(6 x 4)BV-BT		106.010	TU-5000				
2766(6 x 6)BT-PT-AV		106.010	TU-5000				
3464		106.010	TU-5000				

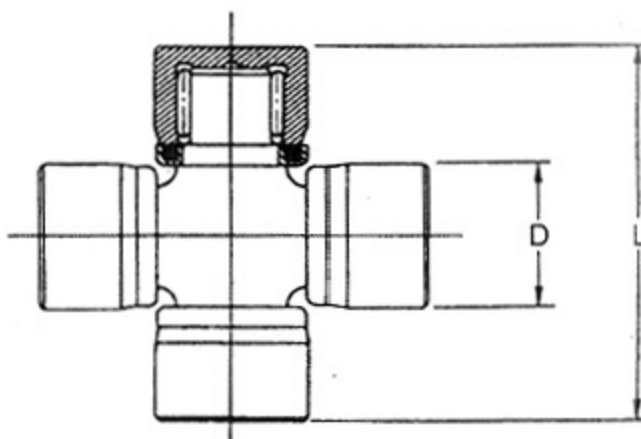
EUROPEAN VEHICLES AND AGRICULTURAL

MODEL	YEAR	ORIGINAL NO.	TOYO NO.	MODEL	YEAR	ORIGINAL NO.	TOYO NO.
VOLVO (continued)							
N 84		365 90	TU-3500				
F 85		365 90	TU-3500				
N 86		462 40	TU-4000				
		231 626	TU-3800				
F 86		462 40	TU-4000				
		231 626	TU-3800				
F 88		231 519	TU-3810				
N 88		231 519	TU-3810				
FB 88		462 40	TU-4000				
NB 88		462 40	TU-4000				
L 420		384 64	TU-2000				
L 425		384 64	TU-2000				
L 430		384 64	TU-2000				
L 435		384 64	TU-2000				
L 465		365 90	TU-3500				
L 475		365 90	TU-3500				
L 485		365 90	TU-3500				
L 4751		365 90	TU-3500				
L 4851		365 90	TU-3500				
L4950		231 009	TU-5000				
		231 519	TU-3810				
L 4951		231 519	TU-3810				
L 4952		231 009	TU-5000				
		231 519	TU-3810				
L 4956		231 519	TU-3810				

CONVERSION AND SIZE LISTING AGRICULTURAL UNIVERSAL JOINT REP. KITS.

TOYO NO.	FIG	DIMENSIONS D×L (mm)	MIPER	WALTERSCHEID	GMB NO.
TA-101	O	18 × 47	C-3229	19.00.00	GUA-1
TA-102	O	19 × 52			GUA-2
TA-103	O	22 × 54	C-3103		GUA-3
TA-104	O	22 × 54.7		10.01.00	GUA-4
TA-105	O	23.8 × 61.3	C-3105	20.00.00	GUA-5
TA-106	O	25 × 72.1	C-3271		GUA-6
TA-107	O	27 × 70	C-3124	11.03.00	GUA-7
TA-108	O	27 × 74.3	C-3122	21.00.00	GUA-8
TA-109	O	29 × 80			GUA-9
TA-110	O	30 × 82.1	C-3133		GUA-10
TA-111	O	30.2 × 80			GUA-11
TA-112	O	30.2 × 92	C-3134	22.00.00	GUA-12
TA-113	O	30.2 × 106.5		23.00.00	GUA-13
TA-114	O	32 × 76		35.00.00	GUA-14
TA-115	O	★34 × 90.2	C-3380	12.00.00	GUA-15
TA-116	O	34 × 106.5			GUA-16
TA-117	O	34.9 × 106.4	C-3163	24.01.00	GUA-17
TA-118	O	39.7 × 116		25.00.00	GUA-18
TA-119	O	34.9 × 106.5			GUA-19
TA-120	O	36 × 89		36.00.00	GUA-20

★ Actually inside snap ring type



CONVERSION LISTING (I)

FOR U.S & EUROPEAN CAR

Mfg's No.	TOYO NO.	Mfg's No.	TOYO NO.	Mfg's No.	TOYO NO.
ACF-Brill		Autobianchi		U 96-55	TU-2700
55 89 47	TU-5000	878 942	TU-2010	M 7000	TU-6700
99 58 00	TU-4000	878 943	TU-2010	114-372	TU-2600
99 97 91	TU-3000	2810/1-2/46 847	TU-2000	114-373	TU-2600
				114 500	TU-1000
AEC		Autocar		114-501	TU-1100
AE-R 55-55-2	TU-2200	3 AA-01172	TU-1000	114-502	TU-1100
AE-U 96-55	TU-2700	3 AB-01172	TU-400	114-504	TU-1100
AE-373	TU-2600	3 DA-01172	TU-3000	114-513	TU-1000
AE-500	TU-5950	3 EA-01172	TU-4000	114-513 R	TU-1000
AE-501	TU-400	3 FA 01172	TU-5000	114-513 X	TU-1000
AE-502	TU-1100	3 WO-01172	TU-2000	114-514	TU-1100
AE-504	TU-1100	3 UUU-01172	TU-3000	114-515	TU-3000
AE-507	TU-5950	3 UUU-01173	TU-4000	114-515 R	TU-3000
AE-511	TU-500			114-515 X	TU-3000
AE-515	TU-3000	Auto-Union		114-516	TU-4000
AE-516	TU-4000	6001-020-1400	TU-800	114-516 R	TU-4000
AE-520	TU-1000	6030-020-1400	TU-7240	114-516 X	TU-4000
AE-521	TU-1000			114-517	TU-5000
AE-521 HD	TU-1000 HD	Balkamp		114-517 R	TU-5000
AE-521 U	TU-1000	M-2063	TU-6700	114-517	TU-5000
AE-553	TU-1000	M-6000	TU-6600	114-517 R	TU-5000
AE-560	TU-2000			114-517 X	TU-5000
AE-574	TU-1020	Bedford		114-520	TU-1000
AE-577	TU-6000	70 84 449	TU-500	114-521	TU-1000
AE-578	TU-2200	70 88 368	TU-3500	114-521 R	TU-1000
AE-588	TU-2300	70 90 700	TU-2000	114-521 RU	TU-1000
AE-1750	TU-5950			114-521 U	TU-1000
AE-6100	TU-6600	Berliet		114-521 X	TU-1000
AE-7100	TU-6700	33.97.030	TU-7390	114-549	TU-1000
AE-7102	TU-6750	34.00.013	TU-1100	114-553 R	TU-1000
AE-7105	TU-6750	34.00.015	TU-350	114-560	TU-2000
AE-5-086	TU-6740	943.541.019	TU-1100	114-560 R	TU-2000
AE-5-200	TU-1000	943.540.918	TU-5000	114-560 U	TU-2000
AE-5-1205	TU-2200	943.541.518	TU-2000	114-574	TU-1020
		943.541.500	TU-3500	114-577	TU-5000
		943.541.600	TU-4000	114-578	TU-2200
Alfa Romeo				114-578 R	TU-2200
98.13.973	TU-1100	Blood		114-578 U	TU-2200
120.017.0	TU-500	CP 5 N	TU-3000	114-588	TU-2300
120.102.0	TU-500	CP 72 N	TU-6700	114-588 R	TU-2300
136.524.805	TU-500			114-1750	TU-5950
173.525.704	TU-4000	BMC		114-1757	TU-5950
105.12.15.030.00	TU-200	P	TU-2000	114-1759	TU-5950
150.03.15.031.00	TU-7390	P 301	TU-1100	114-2012	TU-5950
451.16.13.114	TU-200	P 304	TU-2200	114-2024	TU-5960
		P 305	TU-2200	114-2026	TU-5950
Allis Chalmers		P 309	TU-350	114-2053	TU-5950
080 470	TU-2200	7 H3 870	TU-500	114-5000	TU-6500
080 470-8	TU-2200	N 1052 A-16	TU-2000	114-5003	TU-6500
081 559	TU-2000			114-5011	TU-6500
081 559-7	TU-2000	BMW		114-5014	TU-6500
083 613-3	TU-6700	11 54 3 040 002	TU-7410	114-5055	TU-6500
083 616	TU-6700	26 11 1 105 398	TU-1670	114-5100	TU-6500
180 132	TU-6740	33 21 1 205 310	TU-7410	114-5118	TU-6500
180 132-3	TU-6940	33 21 3 614 170	TU-7410	114-5120	TU-6500
617 512	TU-1000	33 21 3 614 180	TU-9030	114-5122	TU-6500
				114-5123	TU-6500
Americans Motor		Borgward		114-5124	TU-6500
164 369	TU-1000	055 060 25 12	TU-1600	114-5128	TU-6500
280 75-A	TU-1100	097 070 00 05	TU-7240	114-6000	TU-6600
311 7373	TU-1000			114-6003	TU-6600
320 0854	TU-5950	Borg-Waner-Mechanics		114-6016	TU-6600
320 2655	TU-1000	CP 5 N	TU-3000	114-6100	TU-6600
320 4918	TU-5950	R 55-55	TU-2200	114-6113	TU-6600
320 6247	TU-5950	R 55-55-2	TU-2200	114-6129	TU-6600
448 5624	TU-1000				

CONVERSION LISTING (I)

FOR U.S & EUROPEAN CAR

Mfg's No.	TOYO NO.	Mfg's No.	TOYO NO.	Mfg's No.	TOYO NO.
Borg-Waner-Mechanics		966 932	TU-2000	112 350 00 28	TU-7190
114-7000	TU-6700	132 1115	TU-1000	120 350 04 28	TU-7800
114-7003	TU-6700	164 3242	TU-1000	120 410 01 31	TU-7800
114-7007	TU-6700	175 2307	TU-2300	180 357 00 13	TU-7290
114-7033	TU-6700	175 2317	TU-4000	180 410 01 31	TU-7900
114-7034	TU-6750	175 2325	TU-3000	180 410 03 31	TU-7280
114-7035	TU-6700	175 2412	TU-2000	302 410 00 31	TU-7300
114-7100	TU-6700	175 2559	TU-2200	304 410 00 31	TU-7530
114-7102	TU-6750	181 8920	TU-1000	304 411 00 31	TU-7460
114-7105	TU-6740	181 8921	TU-1000	310 410 00 31	TU-7300
114-7107	TU-6700	184 3143	TU-1020	312 411 12 31	TU-7300
114-7113	TU-6740	188 1657	TU-2600	312 411 13 31	TU-7300
114-7114	TU-6750	208 4800	TU-2200	317 410 00 31	TU-7530
114-7116	TU-6700	219 6041	TU-5000	317 410 01 31	TU-7470
114-7118	TU-6700	229 8823	TU-2200	319 410 02 31	TU-7280/1
114-7119	TU-6740	135 01700	TU-400	322 411 00 31	TU-7300
114-7120	TU-6700	135 01800	TU-600	322 411 00 31	TU-7300
114-7122	TU-6740			335 410 00 31	TU-7560
114-7200	TU-6700	Clark		337 401 00 31	TU-7470
114-7202	TU-6750	855 047	TU-2200	337 410 00 31	TU-7470
114-7205	TU-6700	855 846	TU-2000	337 410 50 31	TU-7470
114-7207	TU-6750	858 190	TU-3000	337 411 00 31	TU-7470
114-7213	TU-6700	859 568	TU-2600	354 410 01 31	TU-7470
114-7223	TU-6750	861 452	TU-2000	360 410 02 31	TU-7650
114-7226	TU-6750	865 335	TU-2200	363 410 00 31	TU-7610
114-7242	TU-6700	865 665	TU-1000	363 410 06 31	TU-7610
114-7246	TU-6750	865 751	TU-2500	385 410 01 31	TU-7470
		879 946	TU-6740	385 410 02 31	TU-7300
		893 815	TU-6750	385 410 05 31	TU-7650
Brockway		952 371	TU-3000	387 410 00 31	TU-7630
13 99 56	TU-4000	980 615	TU-6740	387 410 01 31	TU-7620
13 99 57	TU-5000				
13 99 59	TU-3000				
23 90 04	TU-2000	Cleveland		Detroit	
23 90 40	TU-2200	R-55-55	TU-2200	2641-183	TU-400
23 90 44	TU-2000	R-55-55-2	TU-2200	53 725-2	TU-2600
23 90 46	TU-3000	U 96-55	TU-2700	53 825-2	TU-2600
23 90 49	TU-4000	U 96-55-4	TU-2700	53 825-3	TU-2600
23 90 52	TU-5000				
		DAF		Diamond T	
Bussing		106 829	TU-8100	BB-7041	TU-3000
67/4005	TU-7390	140 264	TU-7460	BB-7042	TU-4000
		178 185	TU-8100	BB-7043	TU-4000
Cadillac		264 354	TU-7590	BB-7044	TU-5000
14 70 373	TU-1000	302 155	TU-7460	7199-C	TU-3000
		311 267	TU-3810	7199-F	TU-4000
Citroen		314 151	TU-7440	7199-H	TU-2200
380 868	TU-2200	314 851	TU-7440	7199-J	TU-5000
441 720	TU-1200	316 340	TU-3500	7199-W	TU-2000
A-372.03	TU-730	505 698	TU-8130		
110.310.120	TU-1100	542 635	TU-7430	Euclid Road Machinery	
303.710.810	TU-2000	586 969	TU-8100	21 296	TU-4000
603.710.810	TU-3500	586 992	TU-8120	21 682	TU-6700
		605 804	TU-3810	21 683	TU-6700
				22 623	TU-6700
Chevrolet		Daimler-Benz		47 985	TU-5000
370 7163	TU-2200	000 410 00 31	TU-7530	21 73 956	TU-4000
370 7830	TU-2000	000 410 18 31	TU-7460	21 73 960	TU-5000
370 8961	TU-2200	030 410 04 31	TU-7430	22 22 853	TU-5000
371 3926	TU-1000	030 410 05 31	TU-7460	22 22 854	TU-4000
374 1635	TU-1000	030 410 18 31	TU-7430	23 22 137	TU-5000
609 515	TU-2200	030 410 19 31	TU-7460	23 22 138	TU-5000
		030 410 20 31	TU-7440	23 54 320	TU-1000
Chrysler		030 410 22 31	TU-7490	23 62 830	TU-1000
R-55-55	TU-2200	100 410 01 31	TU-7280	23 66 108	TU-5000
947 547	TU-1100	111 350 00 28	TU-7290	75 00 055	TU-5000
947 553	TU-2600	111 410 00 31	TU-7280/3	75 01 016	TU-2200
947 556	TU-2500				

CONVERSION LISTING (I)

FOR U.S & EUROPEAN CAR

Mfg's No.	TOYO NO.	Mfg's No.	TOYO NO.	Mfg's No.	TOYO NO.
Euclid Road Machinery		B5TZ-4635-A	TU-2200	Gelenkwellenbau	
90 21 683	TU-6700	B6D-7039-A	TU-1000	7 173 10 06 00 000	TU-9020
90 22 734	TU-6700	B6S-7039-A	TU-1000	7 173 20 06 00 000	TU-9010
90 23 673	TU-1000	B6T-7039-A	TU-2000	7 176 20 06 47 000	TU-2000
90 23 940	TU-6740	B6TZ-4635-A	TU-1000	7 176 30 06 96 000	TU-1700
90 24 705	TU-6740	B6TZ-4635-B	TU-2000	7 184 10 06 16 100	TU-1780
90 24 790	TU-6700	B7A-7039-A	TU-1000	7 185 00 06 13 210	TU-7010
90 26 503	TU-6700	B7AZ-4635-A	TU-1000	7 185 10 06 13 070	TU-7030
90 27 855	TU-6740	B7S-7039-A	TU-1000	7 185 10 06 17 000	TU-7280
90 30 220	TU-6740	B9T-4635-A	TU-1020	7 185 10 06 17 060	TU-7280/3
		B9TZ-3249-A	TU-1020	7 185 10 06 17 000	TU-7300
Federal		CIVV-4997-A	TU-1000	7 185 20 06 17 100	TU-7300
5Y-115	TU-3000	CODZ-4635-A	TU-5950	7 185 22 06 17 000	TU-7470
5Y-294	TU-2000	CITZ-3249-A	TU-2200	7 185 22 06 17 060	TU-7470
5Y-500	TU-2200	CITZ-4635-A	TU-2300	7 185 22 06 17 070	TU-7470
5Y-529	TU-5000	C3AZ-4635-C	TU-1000	7 186 20 06 02 230	TU-7640
5Y-530	TU-4000	C3DZ-4635-A	TU-5950	7 186 20 06 02 220	TU-7520
5Y-531	TU-3000	C4TA-4635-A	TU-1000	7 186 25 06 02 000	TU-7530
5Y-532	TU-2000	C4TA-4635-B	TU-6700	7 186 30 06 06 060	TU-3800
5Y-533	TU-2200	C4TZ-4635-A	TU-1000	7 186 30 06 17 000	TU-7530
5Y-7126	TU-3000	C5TZ-4635-A	TU-2200	7 186 30 06 06 200	TU-3860
5Y-7127	TU-4000	C5TZ-4635-C	TU-1000	7 186 30 06 83 370	TU-3800
5Y-7172	TU-5000	C5TZ-4635-D	TU-1000	7 186 35 06 17 000	TU-7560
5Y-7218	TU-2000	C5TZ-4635-E	TU-2200	7 186 35 06 02 210	TU-9040
5Y-7302	TU-2200	C6TZ-4635-C	TU-1000	7 186 37 06 17 000	TU-7610
		C6TZ-4635-F	TU-5000	7 186 40 06 17 000	TU-7630
Fiat		C6TZ-4635-G	TU-4000	7 187 00 06 96 060	TU-1720
875 880	TU-4010	C9TZ-4635-B	TU-1000	7 273 30 06 06 070	TU-1650
876 044	TU-5010	C9TZ-4635-C	TU-1000	7 273 30 06 17 060	TU-7800
878 942	TU-2010	EOA-7039	TU-1100	7 275 30 06 13 060	TU-7150
883 235	TU-500	F42A-7039-A	TU-500	7 275 30 06 13 070	TU-7100
4 593 225	TU-400	F9E-7039	TU-1000	7 275 30 06 96 060	TU-1710
4 552 008	TU-1100	GP-18 397	TU-1000	7 287 00 06 00 000	TU-7410
4 582 853	TU-5010	GPW-18 397	TU-1000	7 287 10 06 00 400	TU-7420
4 551 551	TU-500	G 50 2590	TU-1700	7 287 10 06 96 060	TU-2200
4 606 993	TU-400	LD-44 610-A	TU-1000	7 287 20 06 00 400	TU-7430
4 620 151	TU-5000	MFK-7039-A	TU-1000	7 287 30 06 01 210	TU-7460
4 655 182	TU-2000	MFK-7039-B	TU-1000	7 287 40 06 01 210	TU-7390
		OJY-7039	TU-1000	7 287 40 06 00 400	TU-7390
Ford(BRD)		01T-7039	TU-2200	7 387 00 06 00 000	TU-9030
502 590	TU-1700	01Y-7039	TU-1000	7 387 00 06 00 020	TU-9050
542 149	TU-1700	TGAA-4635-A	TU-6600	7 387 00 06 17 060	TU-7900
516 893	TU-1710	TWAA-4635-B	TU-6750	7 387 20 06 01 210	TU-7440
526 740	TU-1710	TWAA-4635-D	TU-6700	7 387 30 06 01 010	TU-8100
527 862	TU-1710	100E-7039	TU-500	7 387 40 06 01 010	TU-8120
542 149	TU-1700	105E-7039-A	TU-500	7 487 30 06 01 010	TU-8110
11-526 741	TU-1710	11-526 741	TU-1710	7 587 20 06 17 070	TU-7650
11-555 926	TU-1720	11-555 926	TU-1720	7 587 30 06 01 010	TU-7590
11-407 058	TU-1730	116E-4635	TU-500	7 587 35 06 00 010	TU-8130
11-620 489	TU-1740	2A-5-16	TU-4000	7 880 00 06 44 742	TU-7420
		204E-7039	TU-500	7 881 00 06 44 100	TU-1000
Ford(GB)		204E-7042	TU-500	7 881 00 06 44 165	TU-1650
179 22 16	TU-500	204E-7074	TU-400	7 881 00 06 44 250	TU-2500
105E-7039A	TU-500	21C-7039	TU-1000	7 881 00 06 44 670	TU-6700
		211C11-18397	TU-1000	7 881 00 06 44 700	TU-7000
Ford(USA)		2402E-4635-A	TU-1000	7 881 00 06 44 720	TU-7200
A-28 18 68	TU-3000	502 590	TU-1700	7 881 00 06 44 724	TU-7240
AOT-7039-A	TU-2200	508E-7039	TU-3500	7 881 00 06 44 739	TU-7390
A8Q-7039-A	TU-3000	516 893	TU-1710	7 881 00 06 44 748	TU-7480
A9LY-4635-A	TU-1000	528E-7039	TU-2000	7 881 00 06 44 749	TU-7490
B2Q-7039-A	TU-3000	53643-B	TU-500	7 881 00 06 44 753	TU-7530
B2TZ-4635-A	TU-3000	552 093-P	TU-1000		
B3TZ-4635-A	TU-6600	568E-7039	TU-3500	General-Motors	
B4TZ-4635-D	TU-6700	7EQ-7039	TU-3000	386 451	TU-1000
B4TZ-4635-D	TU-6750	8D-5-60	TU-2000	518 648	TU-1000
B5TZ-7039-A	TU-2200	8MTH-7039	TU-2000	570 817	TU-1000

CONVERSION LISTING (I)

FOR U.S & EUROPEAN CAR

Mfg's No.	TOYO NO.	Mfg's No.	TOYO NO.	Mfg's No.	TOYO NO.
General-Motors		065.400.8	TU-3810	165.006.0	TU-300
608 194	TU-3000	064.401.8	TU-3800	265.004.0	TU-300
609 515	TU-2200	065.403.8	TU-3810	265.005.0	TU-500
218 5901	TU-2000	065.415.6	TU-2800	265.005.0	TU-720
218 6972	TU-2200	065.531.6	TU-6320	265.007.0	TU-500
220 0211	TU-2100	065.534.6	TU-6370	265.011.0	TU-500
222 2853	TU-5000	065.545.6	TU-6470	265.012.0	TU-500
222 2854	TU-4000	065.550.6	TU-6500	265.014.1	TU-400
222 3567	TU-3000	065.554.6	TU-6550	265.032.0	TU-400
222 3568	TU-2000	065.560.6	TU-6600	265.032.1	TU-400
226 3882	TU-2000	065.570.6	TU-6700	265.032.1	TU-1730
228 4935	TU-3000	065.800.8	TU-9030	265.033.1	TU-600
229 8621	TU-2000	065.903.8	TU-7560	265.038.0	TU-500
232 2134	TU-3000	065.906.8	TU-2600	265.038.1	TU-500
232 2136	TU-4000	065.907.8	TU-2500	365.000.0	TU-1100
232 2138	TU-5000	065.910.8	TU-1700	365.001.0	TU-1000
232 5029	TU-1000	065.911.8	TU-7000	365.001.0	TU-1030
232 5829	TU-1000	065.912.8	TU-7200	365.002.0	TU-1100
233 0781	TU-2200	065.914.8	TU-7490	365.003.0	TU-1000
234 1648	TU-2300	065.921.8	TU-7800	365.004.0	TU-1200
235 4320	TU-1000	065.921.8	TU-7800	365.005.0	TU-700
235 4324	TU-3000	065.923.8	TU-1720	365.007.0	TU-1100
236 2830	TU-1000	065.924.8	TU-7630	365.008.0	TU-1100
236 6108	TU-5000	065.929.8	TU-7300	365.023.0	TU-1030
237 0728	TU-1000	065.932.8	TU-3880	365.030.0	TU-1000L
240 9783	TU-1020	065.934.8	TU-1600	365.033.0	TU-1000L
245 0093	TU-2200	065.934.8	TU-1600	365.040.0	TU-1100
321 8621	TU-2000	065.937.8	TU-1710	365.050.0	TU-1000
370 7163	TU-2200	065.937.8	TU-1710	465.002.0	TU-2000
370 7830	TU-2000	065.938.8	TU-7430	465.002.0	TU-2050
370 7891	TU-2200	065.939.8	TU-7460	465.006.0	TU-2200
370 8961	TU-2200	065.941.8	TU-3810	465.019.0	TU-2000
371 3926	TU-1000	065.941.8	TU-3810	565.000.0	TU-3000
373 7508	TU-2300	065.942.8	TU-7470	565.000.1	TU-3500
374 1635	TU-1000	065.943.8	TU-7440	565.003.0	TU-3500
375 0686	TU-1000	065.949.8	TU-9010	565.019.0	TU-3000
382 3102	TU-2200	065.951.8	TU-9020	565.019.0	TU-3500
382 8469	TU-1000	065.952.8	TU-7900	565.020.0	TU-3500
383 0580	TU-1000	065.953.8	TU-7530	565.023.0	TU-3000
384 9500	TU-1000	065.955.8	TU-7440	565.023.0	TU-3500
385 1520	TU-2200	065.956.8	TU-8100	565.024.0	TU-3500
387 7040	TU-2200	065.957.8	TU-7460	665.000.0	TU-4000
388 9690	TU-1000	065.958.8	TU-3800	665.002.0	TU-4000
388 9696	TU-2200	065.959.8	TU-7280	665.015.2	TU-4000
391 0235	TU-1000	065.960.8	TU-7280/3	765.000.0	TU-5000
395 3659	TU-1000	065.963.8	TU-3800	765.002.0	TU-5000
395 5571	TU-1000	065.964.8	TU-7420	765.010.0	TU-5000
		065.965.8	TU-8110	765.010.2RA	TU-5000
		065.972.8	TU-7410		
Glaenger Spicer	TU-2600	065.974.8	TU-1730	Glas	
065.000.0	TU-6740	065.975.8	TU-1740	014 320	TU-1650
065.101.8	TU-6750	065.978.8	TU-750		
065.106.8	TU-6700	065.979.8	TU-1650	GWB	
065.108.8	TU-6500	065.980.8	TU-7010	7 173 20 06 00 000	TU-9010
065.117.8	TU-6600	065.981.8	TU-7020	7 176 20 06 47 000	TU-2000
065.139.8	TU-2300	065.982.8	TU-7030	7 176 30 06 96 000	TU-1700
065.209.8	TU-1020	065.983.8	TU-7240	7 185 00 06 13 210	TU-7010
065.212.8	TU-5950	065.984.8	TU-7520	7 185 10 06 17 000	TU-7280
065.234.8	TU-7100	065.986.8	TU-9040	7 185 10 06 17 060	TU-7280/3
065.256.8	TU-5950	065.991.8	TU-7610	7 185 20 06 17 000	TU-7300
065.257.8	TU-3000	065.998.8	TU-8130	7 185 20 06 17 100	TU-7300
065.261.8	TU-2200	165.000.0	TU-350	7 185 22 06 17 000	TU-7470
065.281.8	TU-4010	165.004.0	TU-300	7 185 22 06 17 060	TU-7470
065.302.8	TU-2650	165.004.0	TU-300	7 185 22 06 17 070	TU-7470
065.304.6	TU-200L	165.004.0	TU-300	7 186 30 06 06 060	TU-3800
065.308.8	TU-2300	165.004.1	TU-730	7 186 30 06 06 200	TU-3860
065.351.6					

CONVERSION LISTING (I)

FOR U.S & EUROPEAN CAR

Mfg's No.	TOYO NO.	Mfg's No.	TOYO NO.	Mfg's No.	TOYO NO.
GWB		HS159	TU-7410	K5-L4	TU-1100
7 186 30 06 83 370	TU-3800	HS160	TU-7410	K5-LGB102	TU-500
7 186 35 06 17 000	TU-7560	HS161	TU-1100L	K5-LGB104	TU-1000
7 187 00 06 96 060	TU-1720	HS162	TU-1000L	K5-LGB133	TU-1000
7 273 30 06 00 020	TU-1600	HS164	TU-2050L	K5-LGB166	TU-1000
7 273 30 06 06 070	TU-1650	HS166	TU-1000	K5-LGB176	TU-3500
7 273 30 06 17 060	TU-7800	HS168	TU-A-7	K5-LGB179	TU-2000
7 275 30 06 13 060	TU-7150	HS176	TU-3500	K5-LGB19	TU-1100
7 275 30 06 13 070	TU-7010	HS179	TU-2050	K5-LGB194	TU-500
7 275 30 06 96 060	TU-1710	HS182	TU-2200	K5-LGB195	TU-1100
7 287 00 06 00 000	TU-7410	HS188	TU-7420	K5-LGB21	TU-1000
7 287 10 06 00 400	TU-7420	HS194	TU-500	K5-LGB22	TU-3500
7 287 10 06 96 060	TU-2200	HS195	TU-1100	K5-LGB30	TU-350
7 287 20 06 00 400	TU-7430	HS204	TU-A-14	K5-LGB33	TU-1000
7 287 30 06 01 210	TU-7460	HS210	TU-A-15	K5-LGB50	TU-400
7 287 40 06 00 400	TU-7390	HS222	TU-7430	K5-LGB64	TU-500
7 287 40 06 01 210	TU-7390	HS263	TU-2300	K5-LGB74	TU-1000
7 387 00 06 17 060	TU-7900	HS279	TU-7390	K5-LGB80	TU-500
7 387 20 06 01 210	TU-7440	HS280	TU-3860	K5-LGB81	TU-500
7 387 30 06 01 010	TU-8100	HS282	TU-7560	K5-LGB87	TU-1100
7 587 35 06 00 010	TU-8130	HS295	TU-1770	K5-LGB99	TU-500
7 880 00 06 44 742	TU-7420	HS296	TU-1760		
7 881 00 06 44 100	TU-1000	HS297	TU-297	Hercules	
7 881 00 06 44 165	TU-1650	HS298	TU-1670	405	TU-1100
7 881 00 06 44 670	TU-6700	HS299	TU-728/4	422	TU-2200
7 881 00 06 44 720	TU-7200	HS316	TU-4000	433	TU-1000
7 881 00 06 44 739	TU-7390	HS317	TU-5000	443	TU-2000
7 881 00 06 44 749	TU-7490	HS380	TU-3800	444	TU-3000
7 881 00 06 44 753	TU-7530	HS381	TU-3810	445	TU-4000
		HS382	TU-3820	446	TU-5000
		HS412	TU-7010L		
Hardy Spicer		HS445	TU-1720	Holden	
0551-001N	TU-350	HS446	TU-7280	740 50 65	TU-5950
0551-030W	TU-300	HS480	TU-7300	740 50 66	TU-5960
1451-150N	TU-400	K05-GB1	TU-350	740 60 01	TU-5970
1451-194W	TU-500	K5-16	TU-4000	742 55 15	TU-5910
3051-161N	TU-1100L	K5-17	TU-5000	742 18 81	TU-5910
3051-162N	TU-1000L	K5-GB1	TU-400	742 32 87	TU-5920
3051-195W	TU-1100	K5-GB10	TU-2000	742 18 79	TU-5950
3151-162N	TU-1000L	K5-GB103	TU-2000	720 18 80	TU-5960
3151-162Y	TU-1000L	K5-GB107	TU-2200		
3151-166W	TU-1000	K5-GB115	TU-400	Hudson	
3151-166Y	TU-1000	K5-GB116	TU-1100	157 734	TU-1000
3551-182W	TU-2200	K5-GB117	TU-1000	164 369	TU-1000
4151-179W	TU-2000	K5-GB118	TU-2200		
4151-179Y	TU-2000	K5-GB138	TU-5000	Hyster	
4851-263X	TU-2300	K5-GB15	TU-3000	25 420	TU-400
5151-165N	TU-3000	K5-GB150	TU-400	12 28 19	TU-1100
5151-176Y	TU-3500	K5-GB16	TU-4000	25 897-A	TU-2200
605 1160	TU-4000	K5-GB160	TU-4000	26 126-A	TU-400
6151-001Y	TU-4000	K5-GB161	TU-1100L	27 418-A	TU-2200
7051-017Y	TU-5000	K5-GB162	TU-1000L		
7151-001Y	TU-5000	K5-GB163	TU-2200	International	
DL0295	TU-1770	K5-GB164	TU-2000	12 13 45-R91	TU-2200
DL0296	TU-1760	K5-GB165	TU-3500	12 14 06-R91	TU-1000
DL0297	TU-297	K5-GB166	TU-1000	12 16 84 R91	TU-4000
DLU172	TU-1720	K5-GB17	TU-5000	12 17 62-R91	TU-5000
DLU173	TU-500	K5-GB179	TU-2000	12 17 62-R92	TU-5000
DLU701	TU-7010	K5-GB18	TU-2200	12 75 73-R91	TU-2200
DLU728	TU-7280	K5-GB22	TU-3500	12 75 74-R91	TU-2000
HS119	TU-350L	K5-GB35	TU-1100	13 64 88-H	TU-6500
HS120	TU-350	K5-GB55	TU-5000	13 64 88-HA	TU-6500
HS132	TU-A-4	K5-GB79	TU-400	13 65 12-H	TU-6700
HS134	TU-1700	K5-GB90	TU-600	13 65 12-HB	TU-6700
HS136	TU-7800	K5-GB91	TU-2200	13 71 00-H	TU-6600
HS150	TU-400	K5-L1	TU-500	14 06 04-R92	TU-6750
HS152	TU-510				

CONVERSION LISTING (I)

FOR U.S & EUROPEAN CAR

Mfg's No.	TOYO NO.	Mfg's No.	TOYO NO.	Mfg's No.	TOYO NO.
International		Mack		Matra	
15 49 26-R91	TU-1020	201 SJ-11	TU-2200	10 13 007	TU-1100
21 71 93-R91	TU-2200	201 SJ-12	TU-2000		
64 55 73-R91	TU-1000	201 SJ-13	TU-3000	MG	
64 55 74-R92	TU-2200	201 SJ-14	TU-4000	BG-3000	TU-1100
64 78 69-R92	TU-3000	201 SJ-15	TU-4000	7H-3870	TU-1100
64 78 69 -R93	TU-3000	201 SJ-15B	TU-5000	A-1260 12	TU-1100
65 351-R91	TU-6600	201 SJ-17	TU-400	68 385	TU-1100
65 351-R93	TU-6600	201 SJ-19	TU-1100	0708 8979	TU-400
674 869-R92	TU-3000	201 SJ-19A	TU-1100		
679 689-R91	TU-4000	201 SJ-21	TU-3000	Morris	
679 689-	TU-4000	201 SJ-22	TU-1000	AAK-8264	TU-1100
679 690-R91	TU-5000	201 SJ-23	TU-5000	ID-1102	TU-1100
742 89-R91	TU-2000	201 SJ-25	TU-4000	N-1052 A/16	TU-1100
753 51-R93	TU-6600	201 SJ-26	TU-2200	8G-300	TU-1100
853 51-R91	TU-6600	201 SJ-27	TU-1100	78 433	TU-1100
913 774-R91	TU-2300	201 SJ-29	TU-1000	78 719	TU-1100
983 922-R91	TU-1100				
Innocenti		Magirus(KHD)		Moskvitch	
316 04 103	TU-500	127-5160	TU-7460	412-22 01 025	TU-2550
336 02 103	TU-500	127-5291	TU-7440		
		127-5395	TU-7520	NASH	
		127-5311	TU-7540	280 75-A	TU-1100
Jaguar		127-5339	TU-7530	3117 373	TU-1100
5426	TU-300	127-5430	TU-7640		
10 065	TU-1000	296 1759	TU-8100	Neapco	
10 420	TU-2000	269 9914 K 5014 56	TU-7460	2605-X	TU-2300
		296 9532 K 5015 56	TU-7590	28 CP 5 N	TU-3000
Land-Rover		298 0128 KY 5014 56	TU-8100	2805-X	TU-1100
43023	TU-1100	296 0564 K 5179 56	TU-8110	28051-X	TU-1000
541858	TU-1000	298 0217 KY 5025 56	TU-8130	28051-XB	TU-1000
		8751 56 01 04	TU-9020	28053-X	TU-2200
Lempco		8751 56 01 80	TU-9010	28054-X	TU-2000
U-100	TU-1100	8751 56 01 22	TU-7640	28055-X	TU-3000
U-101	TU-1000	8751 56 02 55	TU-7460	28056-X	TU-2600
U-101HD	TU-1000	8751 56 02 149	TU-7460	28058-X	TU-4000
U-102	TU-2200	8751 56 03 38	TU-7460	28059-X	TU-5000
U-103	TU-2000	8751 56 03 48	TU-7440	28100-X	TU-5950
U-104	TU-3000	8751 56 03 66	TU-7390	28111-X	TU-1100
U-105	TU-4000	8751 56 04 75	TU-7460	28140	TU-2500
U-106	TU-5000	8751 56 51 22	TU-7540	28153-X	TU-1000
U-111	TU-400	8751 56 51 97	TU-7530	281552	TU-5950
U-113	TU-1000	8751 56 55 08	TU-7520	28174-X	TU-1020
U-114	TU-2200	8751 56 55 53	TU-7640	28188-X	TU-2300
U-115	TU-1100	8751 56 55 55	TU-7460	28200-X	TU-1000
U-116	TU-1000	8751 56 56 01	TU-9040	28244-X	TU-1000
U-120	TU-2300	8751 56 03 48	TU-7440	28300-X	TU-6500
U-122	TU-2300			28300	TU-6500
U-123	TU-1000	MAN		28400	TU-6600
U-125	TU-1020	454 59 26	TU-7430	28500	TU-6700
U-126	TU-2600	804 100 255	TU-7460	28514-X	TU-500
U-127	TU-3000	81.39100 6007	TU-7460	285300	TU-2700
U-130	TU-1020	81.39200 6001	TU-7460	286100	TU-6600
U-134	TU-1000	81.39200 6000	TU-7460	286200	TU-2200
U-138	TU-2200	81.39200 6003	TU-7420	287102	TU-6750
U-211	TU-5950	81.39200 6005	TU-7440	287200	TU-6700
U-224	TU-6500	81.39200 6007	TU-8110	287201	TU-6750
U-229	TU-6600	81.39200 6013	TU-8120		
U-230	TU-6700	81.39200 6015	TU-8130	Nordiska Cardan	
U-236	TU-5950	81.39200 6016	TU-7590	12 289 K36	TU-3800
U-237	TU-5950	90 80410 0290	TU-7390	16 654 K46	TU-3810
U-251	TU-6750				
GU-305	TU-2700	Massey Ferguson		NSU	
GU-308	TU-2200	711 915 701	TU-7460	883 235	TU-500
U-414	TU-2600	774 915 709	TU-7390	401 500 508	TU-750
U-453	TU-2600	774 915 712	TU-7390		

CONVERSION LISTING (I)

FOR U.S & EUROPEAN CAR

Mfg's No.	TOYO NO.	Mfg's No.	TOYO NO.	Mfg's No.	TOYO NO.
Opel		11 521-UB	TU-1000	QL102(F)	TU-510
RP 45 806	TU-7150	11 527	TU-1000	QL202	TU-720/730
RP 45 807	TU-7100	11 549	TU-1000	QL203	TU-7010
RP 45 808	TU-7010	11 553	TU-1000	QL204	TU-7150
RP 45 810	TU-7030	11 560	TU-2000	QL205	TU-7100
RP 45 811	TU-7010	11 571	TU-1000	QL206	TU-7020
RP 45 813	TU-7020	11 574	TU-1020	QL207	TU-1700
TB 94 400	TU-7000	11 577	TU-5000	QL208	TU-1730
TB 94 401	TU-7200	11 578	TU-2200	QL210	TU-1710
TB 94 402	TU-7150	11 588	TU-2300	QL211	TU-1720
TB 94 403	TU-7100	15 000	TU-6500	QL212	TU-7280
45 802	TU-7150	15 003	TU-6500	QL294	TU-1600
45 803	TU-7100	15 011	TU-6500	QL295	TU-7420
160 40 76	TU-7010	15 014	TU-6500	QL297	TU-7900
160 40 73	TU-7150	16 000	TU-6600	QL298	TU-750
160 40 74	TU-7100	16 003	TU-6600	QL301	TU-300/350
160 40 78	TU-7020	16 006	TU-6600	QL302	TU-7430
		16 016	TU-6600	QL304	TU-7300
		16 100	TU-6600	QL305	TU-7440
O.M.		17 000	TU-6700	QL306	TU-7470
875 880	TU-4010	17 034	TU-6750	QL308	TU-7460
875 881	TU-4010	17 035	TU-6700	QL311	TU-8100
878 942	TU-2010	17 100	TU-6700	QL315	TU-2010
876 044	TU-5010	17 102	TU-6750	QL324	TU-3800
876 045	TU-5010	17 105	TU-6740	QL328	TU-3810
		17 327	TU-2600	QL331	TU-7410
Oshkosh		17 330	TU-2600	QL333	TU-7200
14 DS-4	TU-1000			QL334	TU-7460
15 DS-68	TU-3000			QL360	TU-3840
16 DS-150	TU-4000	Precision		QL403	TU-1100
17 DS-91	TU-5000	304	TU-2600	QL501	TU-1670
		328	TU-2000	QL510	TU-1740
Perfection		329	TU-1000	QL511	TU-7280/4
RG 5-2X	TU-1100	330	TU-2000	QL515	TU-2300
RG 5-4X	TU-1100	331	TU-2200	QL518	TU-7560
RG 515X	TU-3000	332	TU-3000	QL519	TU-8130
RG 516X	TU-4000	333	TU-4000	QL520	TU-800
RG 517X	TU-5000	334	TU-5000	QL527	TU-A-4
RG 518X	TU-2200	340	TU-400	QL528	TU-2200
RG 521B	TU-1000	341	TU-500	QL533	TU-7390
RG 521X	TU-1000	343	TU-1100	QL1005	TU-2000/20
RG 560X	TU-2000	344	TU-1100	QL1607	TU-4000
RG 5000	TU-6500	346	TU-1000	QL1708	TU-5000
RG 6000	TU-6600	351	TU-2300	QL2104	TU-1000
RG 6003	TU-6600	356	TU-1020	QL2206	TU-3500
RG 6016	TU-6600	360	TU-1000	QL11002	TU-600
RG 7000	TU-6700	369	TU-1000	QL15002	TU-400
		370	TU-3500	QL16103	TU-1100L
Pilot		418	TU-2700	QL16204	TU-1000L
U-19 655	TU-2700	423	TU-2200	QSL1	TU-1760
11 412	TU-5950	514	TU-5950	QSL2	TU-1770
11 426	TU-5950	550	TU-6500	QSL3	TU-297
11 436	TU-1020	560	TU-6600		
11 453	TU-5950	570	TU-6700		
11 500	TU-1000	574	TU-6750	Reo	
11 501	TU-400	901	TU-6740	1026-P2	TU-2000
11 502	TU-1100	908	TU-6700	1039-P2	TU-4000
11 504	TU-1100	908	TU-6700	1107-P2	TU-1000
11 511	TU-1100	915	TU-3000	1551-P2	TU-3000
11 513	TU-1000	916	TU-4000	1695-P2	TU-3000
11 514	TU-1100	917	TU-5000	1709-P2	TU-2000
11 515	TU-3000	954	TU-2200	55-P1	TU-1100
11 516	TU-4000	955	TU-2000	57-P1	TU-1000
11 517	TU-5000	959	TU-6550	859-P2	TU-5000
11 5200	TU-1000			860-P2	TU-4000
11 521	TU-1000	Quinton Hazell		938-P2	TU-3000
11 521-HD	TU-1000	QL102	TU-500		

CONVERSION LISTING (I)

FOR U.S & EUROPEAN CAR

Mfg's No.	TOYO NO.	Mfg's No.	TOYO NO.	Mfg's No.	TOYO NO.
Republic		Rover		Saab Scania	
CB-U 96	TU-2700	43 023	TU-1100	47 804	TU-3000
CB-1100	TU-400	43 203	TU-1100	77 187	TU-3500
CB-1250 B	TU-1100	54 1858	TU-1000	78 060	TU-4000
CB-1251	TU-1100			169 144	TU-3850
CB-1270 B	TU-1000	Ruedarsa		178 258	TU-3840
CB-1270 C	TU-1000	1130-2104	TU-7000	207 563	TU-3860
CB-1270 HD	TU-1000	1130.0.0	TU-7000	264 043	TU-3870
CB-1270 L	TU-1000	1260-3-3103	TU-730	264 044	TU-3880
CB-1270 U	TU-1000	1260.3.0	TU-730	550 612	TU-3840
CB-1350 A	TU-2200	1284-2104	TU-1720	550 613	TU-3810
CB-1410 A	TU-2000	1284.0.0	TU-1720	550 614	TU-3850
CB-1500	TU-3000	1290-2100	TU-7100	750 612	TU-3840
CB-1501	TU-400	1290.0.0	TU-7100	750 613	TU-3810
CB-1574	TU-1020	1291.2104	TU-7150	750 614	TU-3850
CB-1600	TU-4000	1291.0.0	TU-7150	750 602	TU-3800
CB-1700	TU-5000	1291.2103	TU-1700	750 610	TU-3500
CB-1888	TU-2300	1480.0.0	TU-1700		
CB-2503	TU-5950	1485-2104	TU-1710	Simca	
CB-3278	TU-1000	1485.0.0	TU-1710	11 614	TU-400
CB-5N	TU-3000	1535-2104	TU-7210	34 244 Y	TU-400
CB-5000	TU-6500	1535.0.0	TU-7210	34 254 A	TU-600
CB-5014	TU-6500	2001-2103	TU-7800	1350 1700	TU-400
CB-53725	TU-2600	2001.0.0	TU-7800	1350 1800	TU-600
CB-53825-2	TU-2600	2003-2104	TU-7300		
CB-6000	TU-6600	2003.0.0	TU-7300	Spicer(USA)	
CB-6016	TU-6600	2004-2104	TU-7900	2-5-128X	TU-1000
CB-7000	TU-6700	2004.0.0	TU-7900	2-5-168X	TU-1000
CB-7034	TU-6750	2120-2103	TU-7420	3-5-108X	TU-2000
		2120.0.0	TU-7420	3-5-118X	TU-2200
Rockwell Standard Blood		2165-2106	TU-2700	3-5-178X	TU-2000
CP 5 N	TU-3000	2165.0.0	TU-7390	3-5-58X	TU-2200
CP 5 N-1	TU-3000	2220-2104	TU-7390	3-5-68X	TU-2000
CP 5 N-4	TU-3000	2220.0.0	TU-7390	3-5-78X	TU-2200
CP 5 N-9	TU-3000	3502-2103	TU-750	3-5-89X	TU-2200
CP 5 N-14	TU-3000	3502.0.0	TU-7500	5-1X	TU-400
CP 5 N-16	TU-4000	1210-2103	TU-500	5-2X	TU-1100
CP 5 N-17	TU-5000	1210.0.0	TU-500	5-4X	TU-1100
CP 62 N-3	TU-6600	1330-2103	TU-1000	5-5X	TU-1000
CP 62 N-4	TU-6600	1330.0.0	TU-1000	5-6X	TU-1000
CP 62 N-12	TU-6600	1401-2103	TU-2200	5-7X	TU-2200
CP 62 N-23	TU-6600	1401.0.0	TU-2200	5-8X	TU-2000
CP 68 WB	TU-6740	2134-2104	TU-2600	5-9X	TU-2200
CP 68 WB-1	TU-6740	2134.0.0	TU-2600	5-10X	TU-2000
CP 72 N-15	TU-6740	2150-2103	TU-350	5-11X	TU-1000
CP 72 N-16	TU-6740	2150.0.0	TU-350	5-12X	TU-1000
CP 72 N-17	TU-6740	1070-2103	TU-3000	5-13X	TU-1000
CP 72 N-18	TU-6740	1070.0.0	TU-3000	5-14X	TU-500
CP 72 N-19	TU-6740	1080E-2103	TU-2000	5-15X	TU-3000
CP 72 N-20	TU-6740	1080E.0.0	TU-2000	5-16X	TU-4000
CP 72 N-21	TU-6740	1090-2103	TU-1100	5-17X	TU-5000
CP 72 N-22	TU-6750	1090.0.0	TU-1100	5-18X	TU-2200
CP 72 N-23	TU-6700	1120-2105	TU-4000	5-21X	TU-1000
CP 72 N-27	TU-6740	1120.0.0	TU-4000	5-30X	TU-3000
CP 72 N-31	TU-6740			5-61X	TU-1100
CP 72 N-32	TU-6700	Saurer		5-60X	TU-2000
CP 72 N-33	TU-6750	5 G 3824 A	TU-6710	5-63X	TU-1000
CP 72 N-35	TU-6750			5-71X	TU-1000
CP 72 N-36	TU-6740			5-74X	TU-1020
CP 72 N-37	TU-6700			5-78X	TU-2200
CP 72 N-38	TU-6700			5-86X	TU-2200
CP 72 N-40	TU-6740			5-100X	TU-5950
CP 72 N-42	TU-6740			5-101X	TU-400
CP 72 N-43	TU-6700			5-102X	TU-1100
CP 72 N-44	TU-6700			5-107X	TU-5950
CP 72 N-45	TU-6750			5-111X	TU-400

CONVERSION LISTING (I)

FOR U.S & EUROPEAN CAR

Mfg's No.	TOYO NO.	Mfg's No.	TOYO NO.	Mfg's No.	TOYO NO.
Spicer(USA)		168 7253	TU-2000	NU-1560	TU-2000
5-113X	TU-1000	169 0409	TU-1000	NU-1560-R	TU-2000
5-115X	TU-3000	169 1762	TU-2200	NU-1574	TU-1020
5-116X	TU-4000	169 5947	TU-2300	NU-1578	TU-2200
5-117X	TU-5000	169 8021	TU-1000	N-1578-R	TU-2200
5-120X	TU-1000	419 1382	TU-2000	N-1588	TU-2300
5-121X	TU-1000	914 382	TU-2000	N-2053-1	TU-5950
5-121XU	TU-1000			N-5000	TU-6500
5-125X	TU-1000	Torque		N-6000	TU-6600
5-128X	TU-1000	K 10	TU-2000	N-7000	TU-6700
5-143X	TU-2200	K 18	TU-2200	N-7034	TU-6750
5-149X	TU-1000	K 21	TU-1000	N-7105	TU-6740
5-153X	TU-1000HD				
5-160X	TU-2000	Triumph		White	
5-163X	TU-1000HD	128 133	TU-500	21 60 35	TU-400
5-177X	TU-5000	134 778	TU-1100	21 60 35-A	TU-3000
5-178X	TU-2200	144 859	TU-1100	21 60 36-A	TU-4000
5-188X	TU-2300			21 60 38-A	TU-4000
5-200X	TU-1000HD	Vauxhall		21 63 43-A	TU-2000
5-201X	TU-1000HD	708 4449	TU-500	40 09 34-A	TU-1000
5-246X	TU-1000	715 6132	TU-500	40 34 14	TU-2000
5-252X	TU-1000			40 66 06-A	TU-5000
5-278X	TU-1000	Vidal		42 73 62	TU-3000
5-279X	TU-4000	102-202-224	TU-7270	44 41 53	TU-1100
5-280X	TU-5000	182-302-415		81 59 14	TU-3000
5-1205X	TU-2200	212-102-114	TU-7420	81 73 59	TU-1000
5-2026X	TU-5950			82 64 61	TU-400
5-5000X	TU-6500	Volvo		84 31 50	TU-2200
5-6000X	TU-6600	36 590	TU-3500	83 41 50-A	TU-2200
5-6016X	TU-6600	38 403	TU-1100	87 18 88-A	TU-400
5-7000X	TU-6700	38 464	TU-2000	87 40 26	TU-1000
5-7105X	TU-6740	46 240	TU-4000		
5-7202X	TU-6750	83 453	TU-1000	Willy's	
		87 977	TU-500	A-1103	TU-3000
Steyr-Daimler-Punch		231 009	TU-5000	A-1433	TU-1000
192.420.703	TU-7420	231 311	TU-1000	807 806	TU-1000
292.420.713	TU-7430	231 519	TU-3810	906 929	TU-1000
292.420.72	TU-7430	231 626	TU-3800	909 476	TU-1020
295.420.779	TU-7430	383 472	TU-1100	931 477	TU-1000
380.931.101	TU-7460	656 762	TU-500	936 686	TU-1000
380.931.502	TU-6530	659 773	TU-500		
390.310.701	TU-7440	663 8078	TU-7460		
580.970.708	TU-7410	672 037	TU-400		
609.060.701	TU-7410	121 7606	TU-400		
680.310.700701	TU-8100				
690.00.31.2	TU-7440	Western(Wesco)			
780.310.7171	TU-8100	B-5-N	TU-3000		
880 K.31.026.0	TU-7410	D-372	TU-2600		
710.2.22.60701	TU-7420	NR-555	TU-2200		
990.14.31.0714	TU-7390	NO-965	TU-2800		
990.12.31.0714		NU-965	TU-2700		
990.14.31.0730	TU-8100	NU-965-4	TU-2700		
990.14.31.	TU-7590	NU-1501	TU-1000		
		NU-1502	TU-1100		
Studebaker		NU-1504	TU-1100		
516 059	TU-1000	NU-1513	TU-1000		
670 774	TU-2000	NU-1515	TU-3000		
674 156	TU-2200	NU-1516	TU-4000		
682 027	TU-2200	NU-1517	TU-5000		
914 381	TU-3000	NU-1518	TU-2200		
154 1448	TU-1000	NU-1520-R	TU-1000		
155 0426	TU-1000	NU-1521	TU-1000		
156 2019	TU-1000	NU-1521-R	TU-1000		
156 3060	TU-1000	NU-1521-RHD	TU-1000		
168-7083	TU-2200	NU-1521-RU	TU-1000		
168 7251	TU-2200	NU-1553	TU-1000		

CONVERSION LISTING EUROPEAN VEHICLES CONVERSION LISTING (II)

TOYO NO.	LOBRO	MIPER	GLAENZER	HARDY SPICER	ORIGINAL	GWB	QHL
TU-1720	U-172	C-3332 C-3336	065.923.8 065.937.8	DLU172 HS445	11-555 926	7 187 00 06 96 060	QL211
TU-1730	U-173		065.974.8 065.032.1		11-407 058		QL208
TU-1740	U-174	C-3364	065.975.8				QL510
TU-2000	U-200	C-3146 C-3147	465.002.0 465.019.0	4151-179W/179Y HS179 K5-GB10/103/164/ 179 K5-LGB179	10 420 12 75 74-R 91 2810/1-2/46847 303.710.810 370 7370 4 655 182 4 675 624 50.00.241.261 608 921 70 90 700 943.541.518	7 176 20 06 47 000	QL1005
TU-2010	U-201	C-3137 C-3155 C-3156					QL315
TU-2050	U-205	C-3146 C-3147	465.002.0	HS179			QL1005
TU-2050L	U-205L			HS164			
TU-2100	U-210	C-3275					
TU-2200	U-220	C-3136	065.281.8 465.006.0	3551-182W HS 182 K5-GB18/91/107/118/ 163	12 13 45-R 91 370 8961	7 287 10 06 96 060	QL528
TU-2300	U-230	C-3163	065.209.8 065.351.6	4851-263X HS263	175 2307 50.00.559.846 91 37 74-R 91		QL515
TU-2560	U-256						
TU-2600	U-260	C-3368	065.000.0				
TU-2650	U-265		065.304.6				
TU-2760	U-276	C-3460					
TU-2770	U-277	C-3461					
TU-2800	U-280	C-3464	065.415.6				
TU-3000	U-300	C-3171	065.261.88 565.000.0 565.019.0 565.023.0	5151-165N K5-GB15			QL2206
TU-3500	U-350	C-3169	565.000.1 565.003.0 565.019.0 565.020.0 565.023.0 565.024.0	5151-176Y HS176 K5-GB22/165 K5-LGB22/176	08.70.550.300 105.823 173.524.704 316.340 603.710.810 70 80 368 750 610 943.541.500		QL2206
TU-3800	U-380	C-3247	065.401.8 065.958.8 065.963.8	HS380		7 186 30 06 06 060 7 186 30 06 83 370	QL324
TU-3810	U-381	C-3211	065.400.8 065.403.8 065.941.8	HS381	311 267 550 613		QL328
TU-3820	U-382			HS382			

CONVERSION LISTING EUROPEAN VEHICLES CONVERSION LISTING (II)

TOYO NO.	LOBRO	MIPER	GLAENZER	HARDY SPICER	ORIGINAL	GWB	QHL
TU-3840	U-384				178 258		QL360
TU-3850	U-385				169 144		
TU-3860	U-386			HS280	207 563	7 186 30 06 06 200	
TU-4000	U-400	C-3176	665.000.0 665.002.0 665.015.2	6051160 6151-001Y HS316 K5-16 K5-GB/16/160	12 16 84-R 91 173.525.704 175.2317 77.01.002.247 943.541.600		QL1607
TU-4010	U-401	C-3185	065.302.8				
TU-5000	U-500	C-3200	765.000.0 765.002.0 765.010.0 765.010.2RA	7051-017Y 7151-001Y HS317 K5-17 K5-GB17/55/138	08.70.290.900 12 17 62-R 91 219 6041 4 620 151 943.540.918		QL1708
TU-5010	U-501	C-3195 C-3196					
TU-5950	U-595	C-3316 C-3318	065.234.8				
TU-5970	U-596	C-3671					
TU-6970	U-597						
TU-6010	U-601						
TU-6100	U-610	C-3674					
TU-6200	U-620	C-3320					
TU-6300	U-630	C-3506					
TU-6320	U-632	C-3680	065.531.6				
TU-6370	U-637	C-3351	065.534.6				
TU-6400	U-640	C-3536					
TU-6470	U-647	C-3405	065.545.6				
TU-6500	U-650	C-3511	065.117.8 065.550.6		13 64 88-R 91		
TU-6550	U-655		065.554.6				
TU-6600	U-660	C-3516	065.560.6				
TU-6700	U-670	C-3520-S	065.108.8 065.570.6		13 65 12-H	7 881 00 06 44 670	
TU-7000	U-700	C-3334					
TU-7010	U-701	C-3336	065.980.8	DLU701	16 04 076	7 185 00 06 13 210 7 275 30 06 13 070	QL203
TU-7010L	U-701L			HS412			
TU-7020	U-702	C-3355	065.981.8		16 04 078		QL206
TU-7100	U-710	C-3670	065.256.8				QL205
TU-7150	U-715	C-3318				7 275 30 06 13 060	QL204
TU-7200	U-720	C-3380	065.912.8			7 881 00 06 44 720	QL333
TU-7280	U-728	C-3345	065.959.8 065.960.8	DLU728 HS446	100 410 01 31	7 185 10 06 17 000	QL212
TU-7280/3	U-728/3	C-3346			111 410 00 31	7 185 10 06 17 060	

**CONVERSION LISTING EUROPEAN VEHICLES
CONVERSION LISTING (II)**

TOYO NO.	LOBRO	MIPER	GLAENZER	HARDY SPICER	ORIGINAL	GWB	QHL
TU-7290	U-729	C-3358					
TU-7300	U-730	C-3395	065.929.8	HS480	302 410 00 31	7 185 20 06 17 000 7 185 20 06 17 100	QL304
TU-7390	U-739	C-3210	065.941.8	SH279	15003.15031.00 67/4005	7 287 40 06 00 400 7 287 40 06 01 210 7 881 00 06 44 739	QL533
TU-7410	U-741	C-3230	065.972.8	HS159 HS160	33 21 3 205 310	7 287 00 06 00 000	QL331
TU-7420	U-742	C-3133	065.964.8	HS188		7 287 10 06 00 400 7 880 00 06 44 742	QL295
TU-7430	U-743	C-3238	065.938.8	HS222	127 5044 542 635	7 287 20 06 00 400	QL302
TU-7440	U-744	C-3242	065.943.8 065.955.8		127 5291 314 851 50.00.590.892 81 39 200 6005	7 387 20 06 01 210	QL305
TU-7460	U-746	C-3243 C-3246	065.939.8 065.957.8		127 5160 305 155 50.00.255.079 81 39 100 6007	7 287 30 06 01 210	QL308 QL334
TU-7470	U-747	C-3404	065.942.8		385 410 01 31	7 185 22 06 17 000 7 185 22 06 17 060 7 185 22 06 17 070	QL306
TU-7490	U-749	C-3248	065.914.8		7199F	7 881 00 06 44 749	
TU-7530	U-753	C-3254	065.953.8		304 410 00 31	7 881 00 06 44 753	
TU-7560			065.903.8	HS282	335 410 00 31 50.00.242.009	7 186 35 06 17 000	QL518
TU-7800	U-780	C-3224	065.934.8	HS136		7 273 30 06 17 060	
TU-7900	U-790	C-3325	065.952.8			7 387 00 06 17 060	QL297
TU-8100	U-810	C-3252	065.956.8		586 969 77.01.008.349	7 387 30 06 01 010	QL311
TU-8110	U-811		065.965.8		296 0564 296 1759 81 39 200 6007		
TU-8130	U-813		065.998.8		505 698 81 39 200 6015	7 587 35 06 00 010	QL519
TU-9010	U-901		065.949.8			7 173 20 06 00 000	

U-JOINT WITH 4 PLAIN ROUND BEARINGS AND 4 GROOVED ROUND BEARINGS

FIG	OUR NO.	D	O	L	SPICER	PRECISION	GMB	GKN
B	P330	30.18		106.3	5-10X	330	GU2050	HS179
E	P514	25.4	39.5		5-100X	514	G5-100X	
N	P340	23.82		61.3	5-101X	340	GU400	HS150
F	P338	23.82	35		5-103X	338	G5-103X	HS410
B	P341	23.82		61.3	5-111X	341	GU500	HS194
B	P369	27		81.75	5-113X	369	G5-113X	HS166
G	P368	27	57.4		5-1200X	368	G5-1200X	
G	P430	27/28.58	55.5		5-1201X	430	G5-1201X	
G	P433	27	67.6		5-1203X	433	G5-1203X	
C	P434	27 28.58	67.6	91.9	5-1204X	434		
O	T-12062X	48.05		161	5-12062X			HS268
G	P427	30.18	76.28		5-1206X	427	G5-1206X	
B	P369	27		81.75	5-121X	369	G5-121X	
O	T-12100X	45		120.4	5-12100X		GU7530	HS260
G	P463	38	57.2		5-12213X	463	GU7300	
O	T-12219X	48.05		125.8	5-12219X		GU7620	HS272
O	T-12276X	44.1		149	5-12276X			
O	T-12278X	50		164	5-12278X			
O	T-12924X	52.1		133	5-12924X		GU7560	HS282
O	T-12932X	57		152	5-12932X		GU7630	HS289
F	P304	31.27	71.4		5-1301X	304	G5-1301X	
G	P315G	27.4	50.8		5-1306X	315G	G5-1306X	HS442
G	P317	27.4	50.8		5-1306X-1	317	G5-1306X-1	HS442
G	P316	28.6	63.96		5-1309X	316	G5-1309X	
B	P340	23.82		61.3	5-111X			
B	P353	27		92/81.75	5-134X	353	G5-134X	
E	P391	25	40		5-1501X	391	GUN27	HS420
E	P394	26	42		5-1502X	394	GUT13	HS432
G	P393	28	52.9		5-1505X	393	GUN29	HS448
F	P463	38	56.2		5-1506X	463	GU7300	HS480
G	P390	26	53.35		5-1508X	390	GUT12	HS436
B	P396	28.5		77.7	5-1509X	396	GUT14	HS172
G	P387	29	49		5-1510X	387	GUT17	HS454
G	P389	32	61		5-1511X	389	GUT20	HS470
B	P429	27		81.75	5-153X	369	GU1000	HS166
B	P358	34.92		126	5-155X	358	G5-155X	HS275
B	P330	30.18		106.30	5-160X	330	GU2050	HS179
O	P359	41.24		142	5-165X	359	G5-165X	HS252
F	P338	23.82	35		5-170X	338	G5-170X	HS410
B	P331	30.18		92.07	5-178X	331	GU2200	HS182
B	P351	34.92		106.3	5-188X	351	GU2300	HS263
B	P329	27		81.75	5-200X	329	G5-200X	HS166
C	P355	27 28.6	60.2	92	5-212X	355	G5-212X	

U-JOINT WITH 4 PLAIN ROUND BEARINGS AND 4 GROOVED ROUND BEARINGS

FIG	OUR NO.	D	O	L	SPICER	PRECISION	GMB	GKN
B	P354	27		92	5-213X	354	G5-213X	
B	P369	27		81.75	5-251X	369	G5-251X	HS166
G	P365	27	52.5		5-260X	365	G5-260X	
B	P351	34.93		106.31	5-263X	351	G5-263X	HS263
G	P433	27	67.6		5-273X	433	G5-273X	
B	P358	34.93		126.22	5-275X	358	G5-275X	HS275
F	P371	30.2	52.5		5-297X	371	G5-297X	HS457
F	P377	30.2	52.5		5-297X-1	377	G5-297X-1	HS457
G	P492	28.58	59.9		5-3011X	492		HS453
C	P372	27 28.58	61.6	81.75	5-3022X	372		
G	P534G	28.58	61.6		5-3147X	534G	GU6370	HS451
C	P319	27 27.4	50.8	81.75	5-353X	319	G5-353X	
A	P437	27.01		61.95	5-443X	437	G5-443X	
B	P344	27.01		74.6	5-4X	344	GU1100	HS195
G	P356	27	52.4		5-74X	356	G5-74X	HS441
F	P861	24.6	34.36		5-92X	861		
O	SPL90-1X	41.28		126	SPL90-1X			
O	P812	22		54.8	040116	812	GUA-4	HS132
G	P383	29	49		5-1515	383	GUS-52	
O	P964	31.78		81.5	5-243X	964	G5-243	
O	P880	28.58		66.65	5-129X	880		
O	P813	26.98		70	040127	813	GUA-7	HS168
G	P888	33.28	66.1		5-431X	888		
B	P344G	26.98		74.6	044444	344G	GUA-8	HS186
O	P995	27	46.1		5-242X	995		
C	P350	27 28.6	60.2	81.75	5-150X	350		
C	P361	27 25.4	38.8	61.9	5-248X	361		
O	P399	25		76.5	5-1516X	399	GUM-91	
A	P395	20		57	5-1500X	395	GUT-11	
O	P811	22.02		54.15	K5-A588	811	GUA-3	HS130
O	P341AG	23.82		61.45	K5-A64	341AG	GUA-5	HS185
O	P813	27.02		70	K5-A590	813	GUA-7	HS168
O	P344AG	27.02		74.8	K5-LGB36R	344AG	GUA-8	HS186
O	P815	30.18		80	K5-A591	815	GUA-11	HS198
O	P331AG	30.18		92.07	K5-LGB182	331AG	GUA-12	HS182
B	P330	30.18		106.3	K5-A536	330	GUA-13	HS179
B	P429	27		81.75	5-153X	369	GU1000	HS166
B	P344	27.01		74.6		344	GU1100	HS195
B	P330	30.18		106.3	5-160X	330	GU2000	HS179
B	P330	30.18		106.3	5-160X	330	GU2050	HS179
B	P331	30.18		92.07	5-178X	331	GU2200	HS182
B	P351	34.92		106.31	5-188X	351	GU2300	HS263
F	P305	31.25	46		5-1300X		GU2500	

U-JOINT WITH 2 WING BEARINGS AND 2 GROOVED OR 2 PLAIN ROUND BEARINGS

FIG	OUR NO.	D/CtoC	L1/L2	SPICER	PRECISION	ROCKWELL	CATERPIL-LAR	WING&ROUND BEARING TYPE
J	P508	25.4/33.34	55.2/79.22	5-2031X	508	CP2031		2LWT.2RND
S	5-345X	30.18/36.5	106.29/107.9	5-345X				2HWD.2RND
J	P565	33.35/42.88	104.25/140.25		565			2HWD.2RND
S	P470	34.92/42.8	126.1/140.4		470			2HWD.2RND
S	P470	34.92/42.8	126/140.4	5-221X	470		5Y0154	2HWD.2RND
J	P483	41.5/49.2	104.5/148.4		483			2HWD.2RND

U-JOINT WITH 4 WING BEARINGS

FIG	OUR NO.	CtoC	L	BEARING QUANTITY AND TYPE	SPICER	PRECISION	GKN	ALLOY	CATERPIL-LAR
T	P951	33.34	79	4LWT	5-2002X	951	HS520		1250
T	P994	33.34	79	4LWD		994	HS521		316117
T	P952	33.34	79	2LWT,2LWD	5-2116X	952	HS522	1063	6S6902
T	P969	36.5	108	4HWD	5-4143X	969	HS545	1689	6K0316
T	P540	36.5	108	4LWT	5-4002X	540	HS540	1703	6F7160
T	P541	36.5	108	2LWT,2LWD	5-4123X	541	HS542	1704	6H1262
T	P929	36.5	108	2LWT,2HWD	5-4140X	929	HS543	J4130	5M0800
T	P550	42.88	115.06	4LWT	5-5000X	550	HS550	1720	7J5251
T	P552	42.88	115.06	2LWT,2LWD	5-5121X	552	HS552	1721	7J5245
T	P968	42.88	115.06	4HWD	5-5177X	968	HS555	1728	2K3631
T	P933	42.88	115.06	2LWT,2HWD	5-5173X	933	HS553	1722	
T	P563	42.88	140.45	2LWT,2HWD	5-6102X	563	HS563	1822	
T	P560	42.88	140.45	4LWT	5-6000X	560	HS560	1820	
T	P905	42.7	140.2	4HWD	5-6106X	905	HS565	1826	IS9670
T	P894	49.2	134.8	4HWD	5-5800X	894			
T	P895	49.2	134.8	4DWT	5-5801X	895			
T	P896	49.2	134.8	2LWT,2HWD	5-5802X	896		1877	9C0398
T	P574	49.2	148.4	2LWT,2HWD	5-7202X	574	HS573	1843	7J5242
T	P570	49.2	148.4	4LWT	5-7000X	570	HS570	1841	8F7719
T	P927	49.2	148.4	4HWD	5-7150X	927	HS575	1840	2H0858
T	P581	49.2	206.31	4LWT	5-8200X	581	HS580	1851	XX7146
T	P584	49.2	206.31	4LWD	5-8203X	584	HS581	1854	
T	P582	49.2	206.31	2LWT,2LWD	5-8201X	582	HS582	1852	
T	P783	49.2	206.31	2DWT,2HWD	5-8202X	783	HS583	1853	
T	P928	49.2	206.4	4HWD	5-8105X	928	HS585	1850	6H2579
T	P785	71.6	165	4LWT	5-8500X	785	HS680		7K0442
T	P950	71.8	165	2LWT,2HWD		950	HS683		
T	P963	71.8	165	4HWD	5-8516X	963	HS685		2V7153
T	P911	71.44	209.62	4HWD	5-9016X	911	HS595	1868	9V7710

U-JOINT WITH 2 WELDED PLATE TYPE AND 2 PLAIN ROUND BEARINGS

FIG	OUR NO.	D	L1	L2	SPICER	PRECISION	NEAPCO	ROCKWELL
Q	P475	47.62	135	135	5-438X	475	4-2791	CP16SI
Q	P476	49.2	154.7	157.1	5-515X	476	5-2801	CP17SI
Q	P477	49.2	177.98	179.98	5-469X	477	6-4071	CP176SI
Q	P478	49.2	191.69	194	5-510X	478	6-2811	CP18SI
Q	P475	47.62	135	135	5-674X	475	4-2791	CP16SI
Q	P476	49.2	154.7	157.1	5-675X	476	5-2801	CP17SI
Q	P478	49.2	191.69	194	5-676X	478	6-2811	CP18SI
Q	P477	49.2	177.98	179.98	5-677X	477	6-4071	CP176SI

U-JOINT WITH 4 WELDED PLATE TYPE ROUND BEARINGS

FIG	OUR NO.	D	L	WX	PRECISION	GKN	ALLOY	ROCKWELL
U	P332	39.68	116	4225AF	332	HS308	1757	CP115X
R	P333	47.62	134.8	5200AGF	333	HS336	1807	CP16NS
R	P333	47.62	134.8	5200AGF	333	HS336	1807	CP16NS
R	P334	49.2	154.9	5278AGF	334	HS337	1802	CP17NS
R	P334	49.2	154.9	5278AGF	334	HS337	1802	CP17NS
R	P376	49.2	178	6269AGF	376	HS338	1808	CP176NS
R	P376	49.2	178	6269AGF	376	HS338	1808	CP176NS
R	P381	49.2	191.8	7225AGF	381	HS334	1810	CP18NS
R	P381	49.2	191.9	7225AGF	381	HS334	1810	CP18NS

ALLOY SPICER

ALLOY	TOYO NO.	ALLOY	TOYO NO.	ALLOY	TOYO NO.	ALLOY	TOYO NO.	ALLOY	TOYO NO.	SPICER	TOYO NO.
1001	P329	1706	P969	J5-101	P340	J2121	P507	J6139	P565	5-86X	P331
1004	P369	1708	P549	J5-105	P514	J2125	P952	J6141	P560	5-92X	P861
1005	P360	1709	P545	J5-115	P332	J2126	P507	J6142	P563	5-94X	P344
1006	P368	1710	P546	J5-116	P333	J2127	P507	J7105	P927	5-100X	P514
1007	P373	1711	P536	J5-121	P329	J2131	P507	J7112	P927	5-101X	P340
1008	P386	1720	P550	J5-132	P360	J2134	P508	J7113	P927	5-102X	P341
1010	P429	1721	P552	J5-134	P353	J2140	P505	J7117	P927	5-103X	P338
1011	P430	1723	P554	J5-153	P369	J2150	P951	J7122	P927	5-105X	P514G
1012	P433	1728	P968	J5-153B	P369	J2153	P505	J7200	P570	5-107X	P514
1013	P434	1729	P958	J5-155	P358	J2160	P505	J7201	P572	5-108X	P515
1014	P492	1730	P557	J5-160	P330	J2198	P517	J7202	P574	5-110X	P338
1015	P534	1731	P997	J5-160B	P330U	J3011	P492	J7205	P570	5-111X	P341
1016	P399	1732	P997	J5-170	P338U	J3102	P531G	J7206	P572	5-113X	P329
1017	P387	1740	P304	J5-177	P334	J3105	P534G	J7208	P575	5-114X	P514G
1018	P389	1741	P437	J5-178	P331	J3108	P531G	J7242	P570	5-115X	P332
1019	P315	1750	P330	J5-178B	P331U	J3111	P534	J51625-2	P305	5-116X	P333
1020	P316	1751	P331	J5-181	P341	J3113	P534	J53625-2	P304	5-117X	P334
1021	P344	1752	P3300	J5-188	P351	J3114	P534G	J53825-2	P304	5-120X	P329
1022	P385	1756	P351	J5-200	P360	J3120	P998	J72625-4	P315	5-121X	P329
1023	P340	1757	P332	J5-200B	P360	J3121	P966	J72625-5	P316	5-125X	P360
1024	P356	1758	P371	J5-213	P354	J3122	P927	J72625-6	P315G	5-129X	P880
1025	P356	1763	P427	J5-248	P361	J3123	P966	J72625-7	P318	5-129-1X	P880
1027	P341	1764	P427	J5-260	P365	J3125	P967	J055-55	P427	5-130X	P354
1029	P384	1774	P888	J5-280	P334	J3155	P967	JS55-55	P429	5-132X	P369
1030	P340	1777	P861	J5-281	P381	J4008	P543	CP35N3	P964	5-134X	P353
1031	P341	1778	P331	J5-297	P371	J4011	P542	CP44N	P888	5-138X	P353
1032	P360	1779	P995	J5-315	P373	J4029	P540	CPL6N	P861	5-143X	P331
1034	P353	1780	P880	J5-350	P368	J4100	P540	CPL12N	P995	5-149X	P360
1038	P369	1781	P964	J5-353	P319	J4101	P541	CPL14N	P8808	5-153X	P369
1040	P354	1782	P1500	J5-1200	P429	J4102	P544			5-155X	P358
1041	P361	1784	P507	J5-1201	P430	J4113	P540			5-160X	P330
1042	P355	1802	P334	J5-1203	P433	J4118	P969			5-160XU	P330
1049	P392	1803	P334	J5-1204	P434	J4120	P540			5-170X	P338
1050	P395	1805	P358	J5-1601	P395	J4130	P929	SPICER	TOYO NO.	5-177X	P334
1051	P393	1806	P333	J5-1601S	P392	J4133	P996	5-1X	P340	5-178X	P331
1052	P391	1807	P333	J5-1602	P393	J4151	P540	5-2X	P340	5-178XU	P331
1053	P394	1810	P381	J5-1603	P391	J4158	P540	5-4X	P344	5-181X	P340
1055	P710	1820	P560	J5-1604	P394	J5031	P933	5-5X	P329	5-188X	P351
1056	P514	1821	P561	J5-1605	P398	J5100	P550	5-6X	P329	5-200X	P360
1057	P398	1822	P563	J5-1606	P390	J5101	P552	5-7X	P331	5-201X	P329
1058	P390	1823	P564	J5-1607	P397	J5102	P933	5-8X	P330	5-204X	P429
1059	P397	1824	P566	J5-1608	P396	J5103	P554	5-9X	P331	5-213X	P354
1060	P393	1826	P905	J1003	P861	J5108	P968	5-10X	P330	5-229X	P354
1061	P514	1827	P957	J1004	P861	J5109	P958	5-11X	P329	5-230X	P354
1063	P952	1828	P568	J1750	P514	J5118	P550	5-12X	P329	5-237X	P351
1064	P508	1929	P569	J1750G	P514G	J5121	P552	5-13X	P329	5-242X	P995
1070	P338	1840	P927	J1762	P514G	J5125	P933	5-14X	P341	5-243X	P964
1071	P507	1841	P570	J2100	P508	J5130	P933	5-15X	P332	5-246X	P360
1078	P331	1842	P572	J2101	P507	J5139	P558	5-16X	P333	5-248X	P361
1085	P534	1843	P574	J2103	P951	J5146	P968	5-17X	P334	5-249X	P361
1090	P305	41004	P369	J2104	P952	J5148	P550	5-18X	P331	5-252X	P369
1102	P314	41012	P433	J2108	P507	J6100	P560	5-21X	P329	5-255X	P369
1103	P317	41025	P356	J2109	P508	J6101	P561	5-30X	P332	5-260X	P365
1105	P318	41034	P353	J2110	P951	J6102	P563	5-60X	P330	5-263X	P351
1131	P429	41078	P331	J2111	P508	J6103	P564	5-61X	P341	5-273X	P354
1153	P319	41103	P315	J2112	P507	J6104	P566	5-63X	P329	5-275X	P358
1699	P372	41742	P436	J2113	P504	J6106	P905	5-70X	P338	5-279-2X	P333
1700	P517	41758	P371	J2114	P522	J6107	P957	5-71X	P329	5-280X	P334
1703	P540	J5-4	P344	J2116	P952	J6108	P568	5-74X	P356	5-280-4X	P334
1704	P541	J5-14	P341	J2117	P994	J6109	P569	5-78X	P331	5-281X	P381
1705	P544	J5-74	P356					5-81X	P340	5-297X	P371

SPICER PERCISION NEAPCO

SPICER	TOYO NO.	SPICER	TOYO NO.	PERCISION	TOYO NO.	PERCISION	TOYO NO.	NEAPCO	TOYO NO.	NEAPCO	TOYO NO.
5-299X	P333	5-3147X	P534	316	P316	513	P513	1-0297	P371	4-0643	P560
5-300X	P341	5-4002X	P540	317	P317	514	P514	1-0300	P341	4-5122	P550
5-306X	P334	5-4007X	P542	318	P318	515	P515	1-0301	P340	4-5177	P968
5-310X	P437	5-4014X	P544	319	P319	534	P534	1-0315	P373	4-6103	P564
5-311X	P429	5-4015X	P545	329	P329	534G	P534G	1-0443	P427	4-6104	P566
5-315X	P373	5-4016X	P546	330	P330	540	P540	1-0505	P1500	4-6107	P957
5-332X	P374	5-4143X	P969	331	P331	541	P541	1-1153	P369	4-6128	P905
5-353X	P319	5-5000X	P550	332	P332	542	P542	1-1200	P369	4-6143	P560
5-356X	P372	5-5008X	P554	333	P333	544	P544	1-1475	P861	4-6152	P561
5-407X	P376	5-5015X	P557	334	P334	545	P545	1-1554	P710	4-6162	P568
5-419X	P369	5-5121X	P552	338	P338	546	P546	1-1555	P514	4-6163	P569
5-431X	P888	5-5177X	P968	340	P340	550	P550	1-1557	P398	5-0059	P334
5-438X	P475	5-6000X	P560	341	P341	552	P552	1-1604	P385	5-0280	P334
5-443X	P437	5-6016X	P560	344	P344	554	P554	1-1606	P397	5-0284	P334
5-515X	P476	5-6102X	P563	350	P350	560	P560	1-1608	P386	5-7126	P927
5-538X	P434	5-6106X	P905	351	P351	561	P561	1-1610	P384	5-7205	P570
5-539X	P319	5-6108X	P568	353	P353	563	P563	1-1612	P387	5-7206	P572
5-1200X	P429	5-6109X	P569	354	P354	568	P568	1-1875	P507	5-7207	P574
5-1201X	P430	5-6110X	P905	355	P355	569	P569	1-1876	P507	5-7208	P575
5-1203X	P433	5-7000X	P570	356	P356	570	P570	1-2075	P880	5-7209	P576
5-1204X	P434	5-7105X	P927	358	P358	572	P572	1-2171	P951	6-0281	P381
5-1206X	P427	5-7202	P574	360	P360	574	P574	1-2185	P952	6-0324	P480
5-1300X	P305	5-7206	P572	361	P361	575	P575	1-3600	P507	6-0407	P376
5-1301X	P304	5-12030	P341	365	P365	576	P576	1-3650	P505		
5-1304X	P314	5-12280	P330	368	P368	861	P861	1-4635	P430		
5-1306X	P315	5-13400	P341	369	P369	880	P880	1-5900	P429		
5-1306XS	P318	5-13402	P341	370	P370	888	P888	1-6300	P317		
5-1307X	P315	5-275X	P358	371	P371	905	P905	1-6301	P315G		
5-1308X	P315G	5-12007X	G-12007	372	P372	911	P911	2-0020	P389		
5-1309X	P316	5-12062X	G-12062	373	P373	927	P927	2-0053	P331		
5-1500X	P395	5-12072X	G-12072	374	P374	928	P928	2-0054	P330		
5-1501X	P391	5-12100X	G-12100	381	P381	934	P934	2-0350	P515		
5-1502X	P394	5-12276X	G-12276	382	P382	951	P951	2-0527	P347		
5-1503X	P398	5-12278X	G-12278	383	P383	952	P952	2-1175	P316		
5-1504X	P397	5-13500X	G-13500	384	P384	963	P963	2-1400	P305		
5-1505X	P393	5-13700X	G-13700	385	P385	964	P964	2-2275	P964		
5-1506X	P463	5-1348X	G-1348	386	P386	968	P968	2-2700	P522		
5-1507X	P384	5-77277X	G-77277	387	P387	969	P969	2-3010	P534G		
5-1508X	P390	5-12213X	G-12213	389	P389	983	P983	2-3011	P534G		
5-1509X	P396	5-13500X	G-13500	390	P390	995	P995	2-3100	P319		
5-1510X	P387	5-13600X	G-13600	391	P391			2-3111	P492		
5-1511X	P389	5-303X	G-303	392	P392			2-3500	P508		
5-1513X	P386	5-330X	G-330	393	P393			2-4800	P433		
5-1514X	P385	5-331X	G-331	394	P394			2-4900	P434		
5-1515X	P383	5-345X	G-345	395	P395			2-5700	P314		
5-1516X	P399	5-347X	G-347	396	P396	NEAPCO	TOYO NO.	2-6302	P318		
5-2000X	P516	5-348X	G-348	397	P397	1-1005	P344	2-6600	P427		
5-2002X	P951	5-360X	G-360	398	P398	1-0011	P395	3-0044	P888		
5-2011X	P507	5-454X	G-454	399	P399	1-0012	P390	3-0055	P332		
5-2012X	P514	5-469X	G-469	427	P427	1-0013	P394	3-0056	P304		
5-2020X	P514	5-510X	G-510	429	P429	1-0014	P396	3-0155	P358		
5-2031X	P508	5-220X	G-220	430	P430	1-0027	P391	3-0188	P351		
5-2033X	P522	5-221X	G-221	431	P431	1-0028	P392	3-0188	P351		
5-2048X	P508			433	P433	1-0029	P393	3-1053	P331		
5-2049X	P522			434	P434	1-0105	P514G	3-1054	P330		
5-2053X	P514			436	P436	1-0121	P329	3-3130	P372		
5-2064X	P507			437	P437	1-0134	P353	3-4143	P969		
5-2116X	P952	PERCISION	TOYO NO.	463	P463	1-0150	P350	3-4152	P544		
5-3008X	P534	304	P304	492	P492	1-0153	P369	3-5132	P554		
5-3011X	P492	305	P305	507	P507	1-0170	P338	4-0058	P333		
5-3022X	P372	314	P314	508	P508	1-0174	P365	4-0279	P333		
5-3111X	P534	315	P315	512	P512	1-0200	P360	4-0628	P905		
						1-0248	P361				

FIG	TOYO NO.	D	O	L	FIG	TOYO NO.	D	O	L
F	P304	31.25	71.4		G	P384	28	56	
F	P305	31.25	46		E	P385	22.5	35	
F	P315	27.39	50.95		E	P386	26.5	48	
G	P316	28.58	61.6		G	P387	29	49	
F	P317	27.39	50.95		G	P389	32	61	
F	P318	27.39	50.95		G	P390	26	53.35	
C	P319	27.4(27)	50.95	(81.75)	E	P391	25	40	
B	P329	27		81.75	E	P392	20	35	
B	P330	30.18		106.3	G	P393	28	53	
B	P331	30.18		92.07	E	P394	26	42	
U	P332	39.68		115.85	A	P395	20	57	
R	P333	47.62		134.93	B	P396	28.5		77.9
R	P334	49.2		154.78	E	P397	25	40	
F	P338	23.82	35		A	P398	25		63.8
N	P340	23.82		61.3	D	P399	25		76.5
B	P341	23.82		61.3	G	P427	30.18	75.3	
B	P344	27		74.6	B	P429	27		81.75
C	P350	(27)28.6	61.6	(81.75)	G	P430	27 (28.58)	(55.5)	81.75
B	P351	34.92		106.3	G	P431	27	57.3/67.6	
B	P353	27		81.75 92	G	P433	27	67.6	
B	P354	27		92	C	P434	(27)28.58	(67.6)	(92)
C G	P355	(27)28.58	61.6	(92)	F	P436	27	38.65	
I	P356	27	52.5		A	P437	27		61.95
B	P358	34.92		126	G	P463	38	56.2	
B	P360	27		81.75	G	P492	28.58	61.6	
C	P361	(27)25.4	39.65	(61.9)	F	P507	25.4	55.5	
G	P365	27	52.5		G	P513	28.58	49.1	
G	P368	27	56.5		E	P514	25.4	39.6	
B	P369	27		81.75	F	P515	25.4	55.5	
B	P370	39.69		115.85	G	P534	28.58	61.6	
F	P371	30.18	52.5		G	P534G	28.58	61.6	
C	P372	(27)28.58	61.6	(81.75)	F	P861	24.6	34.2	
A	P373	27		61.9	D	P880	28.58		66.5
G	P374	34.92	71.4		F	P888	33.28	66.15	
C	P375	28.58	61.6	92	F	P934	31.78		81.5
R	P381	49.2		191.8	F	P964	31.78		81.5
B	P382	33		93	F	P983	24.6	38.85	
G	P383	29	49		F	P995	27	43.18	



TOYO.

CHEA HWAE ENTERPRISE CO., LTD

NO.68 ALLEY 1, LANE 135, TSAO HU RD.,
WU FENG HSIANG, TAICHUNG HSIEN, TAIWAN, R.O.C.

TEL 886-4-23327436

FAX 886-4-23327432

<http://www.universal-joint.com.tw>

E-mail cheahwae@ms16.hinet.net

